

ASSEMBLY - G4 BI-B-R-V Model

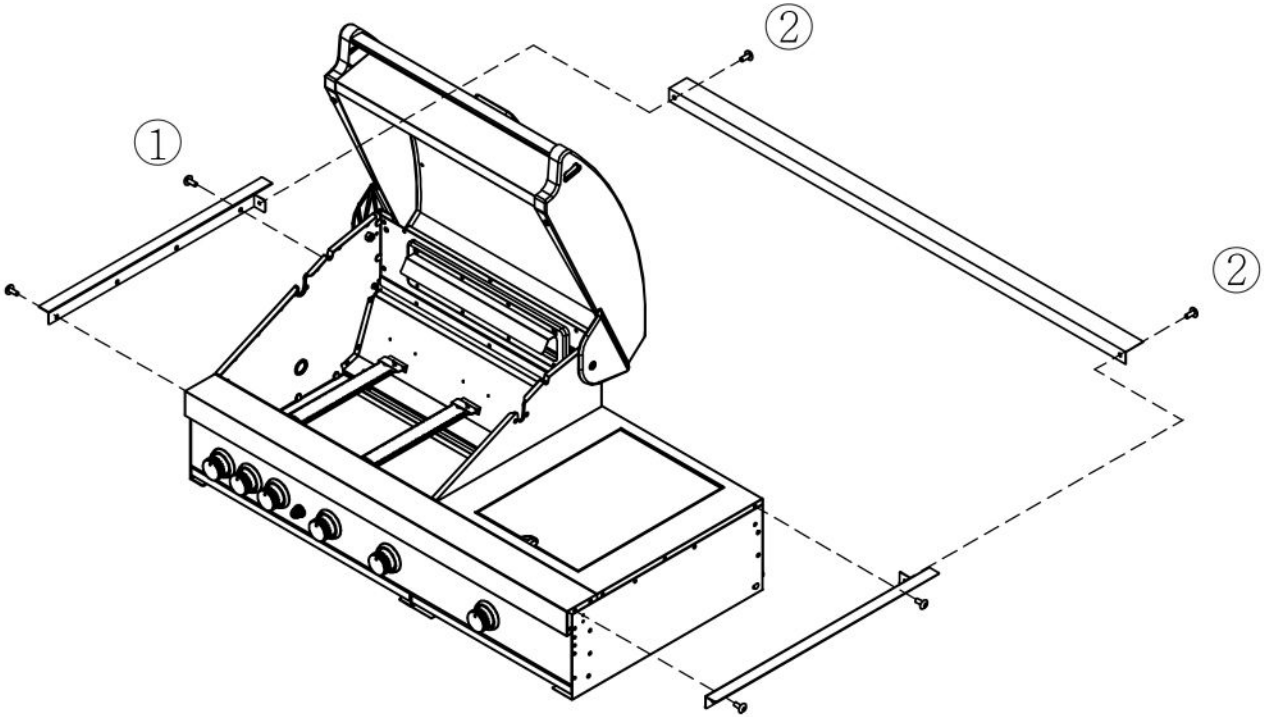
1. Install the Trim brackets Left and Right & Rear



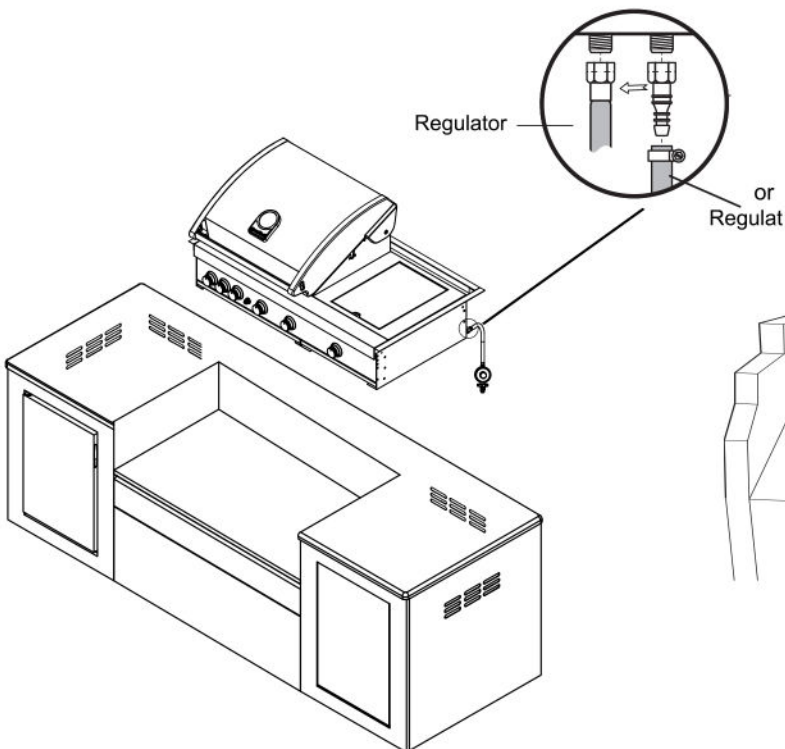
Countersunk Flat Head Screw
3/16" X 3/8"
Qty. 4



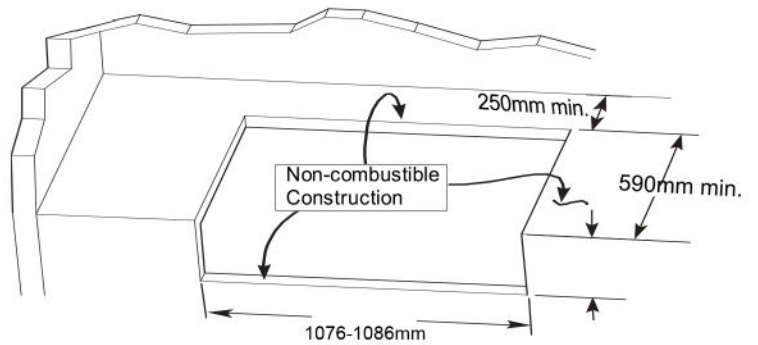
Countersunk Flat Head Screw
1/4" X 3/8"
Qty. 2



2. Regulator and Install the grill onto the housing



MOUNTING CUT - OUT



G4BI-R+ER-V