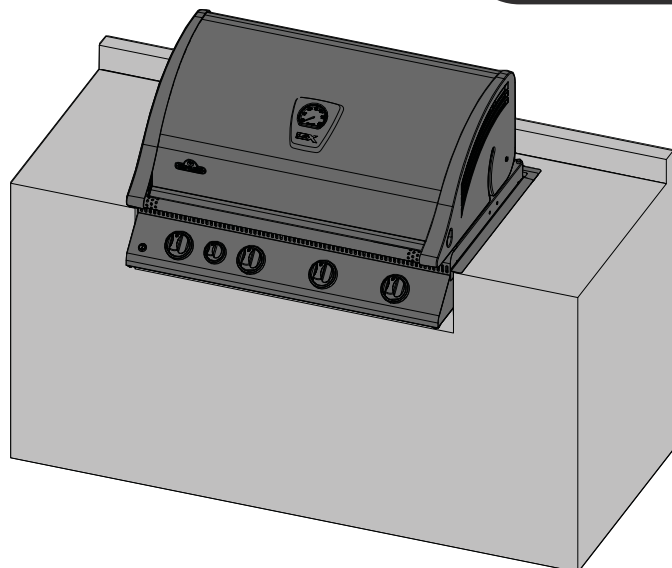
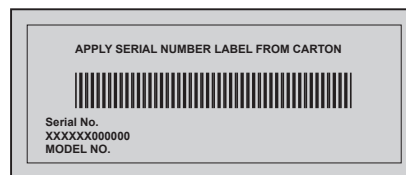


This gas grill must be used only outdoors in a well-ventilated space and must not be used inside a building, garage, screened-in porch, gazebo or any other enclosed area.



**WARNING!** CABINET FRAME, CABINET AND COUNTER TOP MUST BE MADE FROM NON-COMBUSTIBLE MATERIAL.



### DANGER

#### IF YOU SMELL GAS:

- Shut off gas to the appliance.
- Extinguish any open flame.
- Open lid.
- If odor continues, keep away from the appliance and immediately call your gas supplier or fire department.



### WARNING

Do not try to light this appliance without reading the "LIGHTING" instructions section of this manual.

Do not store or use gasoline or other flammable liquids or vapors in the vicinity of this or any other appliance. An L.P. cylinder not connected for use must not be stored in the vicinity of this or any other appliance. If the information in these instructions is not followed exactly, a fire or explosion may result, causing property damage, personal injury or death.

Adults and especially children should be alerted to the hazards of high surface temperatures. Young children should be supervised near the gas grill.

Notice to Installer: Leave these instructions with the grill owner for future reference.



N415-0563CE-GB-DE JUL 16.19

Wolf Steel Europe BV  
Poppenbouwing 29-31, 4191 NZ Geldermalsen,  
CCI No. 51509970, THE NETHERLANDS  
[info@napoleongrills.nl](mailto:info@napoleongrills.nl)

[www.napoleon.com](http://www.napoleon.com)

EN

DE  
PG.25

# Napoleon President's 15 Year Limited Warranty



NAPOLEON products are designed with superior components and materials, and are assembled by trained craftsmen who take great pride in their work. The burner and valve assembly are leak tested and test-fired at a quality test station. This grill has been thoroughly inspected by a qualified technician before packaging and shipping to ensure that you, the customer, receive the quality product you expect from NAPOLEON.

NAPOLEON warrants that components in your new NAPOLEON product will be free from defects in material and workmanship from the date of purchase, for the following period:

Aluminum castings / stainless steel base .....	<b>15 years</b>
Stainless steel lid .....	<b>15 years</b>
Porcelain enamel lid .....	<b>15 years</b>
Stainless steel cooking grids .....	<b>15 years</b>
Stainless steel tube burners .....	<b>10 years full coverage, plus 50% off until the 15th year</b>
Stainless steel sear plates .....	<b>5 years full coverage, plus 50% off until the 15th year</b>
Porcelain-enameled cast iron cooking grids .....	<b>5 years full coverage, plus 50% off until the 15th year</b>
Ceramic infrared burners (excluding screen) .....	<b>5 years full coverage, plus 50% off until the 15th year</b>
All other parts .....	<b>2 years</b>

### \*Conditions and Limitations

This Limited Warranty creates a warranty period as specified in the aforementioned table, for any product purchased through an authorized NAPOLEON dealer, and entitles the original purchaser to the specified coverage in respect of any component replaced within the warranty period, either by NAPOLEON or an authorized NAPOLEON dealer, to replace a component of such product that has failed in normal private use as a result of a manufacturing defect. The "50% off" indicated in the table means the component is made available to the purchaser at a 50% discount off the regular retail price of the component for the period indicated. This Limited Warranty does not cover accessories or bonus items.

For greater certainty, "normal private use" of a product means that the product: has been installed by a licensed, authorized service technician or contractor, in accordance with the installation instructions included with the product and all local and national building and fire codes; has been properly maintained; and has not been used as a communal amenity or in a commercial application.

Similarly, "failure" does not include: over-firing, blow outs caused by environmental conditions such as strong winds or inadequate ventilation, scratches, dents, corrosion, deterioration of painted and plated finishes, discoloration caused by heat, abrasive or chemical cleaners or UV exposure, chipping of porcelain enameled parts, or damages caused by misuse, accident, hail, grease fires, lack of maintenance, hostile environments such as salt or chlorine, alterations, abuse, neglect or parts installed from other manufacturers.

Should deterioration of parts occur to the degree of non-performance (rusted through or burnt through) within the duration of the warranted coverage, a replacement part will be provided. The replacement component is the sole responsibility of NAPOLEON defined by this Limited Warranty; in no event will NAPOLEON be responsible for installation, labor or any other costs or expenses related to the re-installation of a warranted part, for any incidental, consequential, or indirect damages or for any transportation charges, labor costs or export duties.

This Limited Warranty is provided in addition to any rights afforded to you by local laws. Accordingly, this Limited Warranty imposes no obligation upon NAPOLEON to keep parts in stock. Based on the availability of parts, NAPOLEON may at its discretion discharge all obligations by providing a customer a prorated credit towards a new product. After the first year, with respect to this Limited Warranty NAPOLEON may, at its discretion, fully discharge all obligations with respect to this warranty by refunding to the original warranted purchaser the wholesale price of any warranted but defective part(s).

The bill of sale or copy will be required together with a serial number and a model number when making any warranty claims from NAPOLEON. NAPOLEON reserves the right to have its representative inspect any product or part prior to honoring any warranty claim. You must contact NAPOLEON Customer Service or an authorized NAPOLEON dealer to obtain the benefit of the warranty coverage.



www.napoleon.com



**WARNING!** Failure to follow these instructions could result in property damage, personal injury or death. Read and follow all warnings and instructions in this manual prior to operating grill.

## Safe Operating Practices

- This gas grill must be assembled exactly according to the instructions in the manual. If the grill was store assembled, you must review the assembly instructions to confirm correct assembly and perform the required leak tests before operating the grill.
- Read the entire instruction manual before operating the gas grill.
- This gas grill must be used only outdoors in a well-ventilated space and must not be used inside a building, garage, screened-in porch, gazebo or any other enclosed area.
- This gas grill must not be installed in or on recreational vehicles and/or boats.
- Do not locate unit in windy settings. High winds adversely affect the cooking performance of the gas grill.
- Under no circumstances should this gas grill be modified.
- Do not operate unit under overhead combustible construction.
- Maintain proper clearance to combustibles, (16" (410 mm) to rear of unit, 7" (180 mm) to sides). Additional clearance of 24" (610 mm) is recommended near vinyl siding or panes of glass.
- At all times keep the ventilation openings of the cylinder enclosure free and clear from debris.
- Gas must be turned off at the propane cylinder when the gas grill is not in use.
- Keep children and pets away from hot grill, DO NOT allow children to climb inside cabinet.
- Children should be supervised to ensure that they do not play with the appliance.
- This appliance is not intended for use by persons (including children) with reduced physical, sensory or mental capabilities, or lack of experience and knowledge, unless they have been given supervision or instruction concerning use of the appliance by a person responsible for their safety.
- If the enclosure is to house a propane cylinder, the tank portion of the enclosure must be ventilated according to local codes, and must not have communication with the cavity used to enclose the gas grill. A propane tank can not be stored below the gas grill.
- When the propane cylinder is connected to the appliance, the gas grill and cylinder must be stored outdoors in a well-ventilated space.
- When the gas grill is to be stored indoors, the connection between the propane cylinder and the gas grill must be disconnected and the cylinder removed and stored outdoors in a well ventilated space out of reach of children. Disconnected cylinders must not be stored in a building, garage or any other enclosed area.
- Inspect the gas supply hose before each use. If there is evidence of excessive abrasion or wear or the hose is cut, it must be replaced prior to using the gas grill with a replacement hose assembly specified by the grill manufacturer.
- Leak test the unit before initial use, annually, and whenever any gas components are replaced.
- Follow lighting instructions carefully when operating grill.
- Burner controls must be off when turning supply cylinder valve on.
- The lid is to be closed during the gas grill preheating period.
- Do not leave grill unattended when operating.
- Do not light burners with lid closed.
- Do not operate rear burner with main burners operating.
- Do not move grill when hot or operating.
- Keep any electrical supply cord and gas supply hose away from any heated surfaces.
- Ensure sear plates are positioned properly according to sear plate installation instructions. The holes must be towards the front of the gas grill (if applicable).
- Clean grease tray and sear plates regularly to avoid build-up, which could lead to grease fires.
- Remove warming rack before lighting rear burner. The extreme heat will damage the warming rack.
- Inspect infrared burner venturi tube for spider webs and other obstructions periodically. Clean the tubes completely if you find any such obstructions.
- Do not allow cold water (rain, sprinkler, hose, etc.) to come in contact with ceramic burners. A large temperature differential can cause cracking in the ceramic tile.
- Do not use a pressure washer to clean any part of the unit.
- The outdoor cooking gas grill and its individual shutoff valve must be disconnected from the gas supply piping system during any pressure testing of that system at test pressures in excess of 0.5psi (3.5kPa).
- The outdoor cooking gas grill must be isolated from the gas supply piping system by closing its individual manual shutoff valve during any pressure testing of the gas supply piping system at test pressures equal to or less than 1/2 psi (3.5 kPa).



## Correct Disposal Of This Product

This marking indicates that this product should not be disposed with other household wastes throughout the EU. To prevent possible harm to the environment or human health from uncontrolled waste disposal, recycle it responsibly to promote the sustainable reuse of material resources. To return your used device, please use the return and collection systems or contact the retailer where the product was purchased.

They can take this product for environmental safe recycling.

## Gas Cylinder

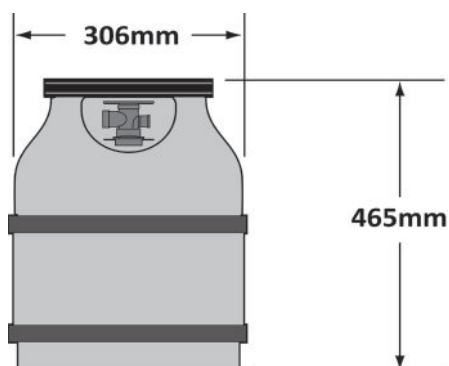
Use only gas cylinders, which meet national and regional codes. **For optimal performance the grill should be operated on propane.** The minimum cylinder size for butane units is 13kg, and for propane units is 6kg. Ensure that the cylinder can provide enough fuel to operate the appliance. If in doubt, check with your local gas supplier.

- Use caution when handling the cylinder valve.
- Never connect a cylinder, which does not meet local codes.

Only cylinders connected to the appliance may be stored in the enclosure, or close to the appliance. Enclosures must comply with the BUILT IN CYLINDER ENCLOSURES paragraph in the following section. Spare cylinders must not be stored in the enclosure, or in close proximity of an operating unit. Cylinders must not be exposed to extreme heat or direct sunlight.

**Cylinder Connection:** Remove the cap or plug from the cylinder fuel valve. Tighten regulator to cylinder valve. *Leak test all joints prior to using the barbecue.* A leak test must be performed annually, and each time a cylinder is hooked up, or if a part of the gas system is replaced.

### Example Cylinder



## Gas Hose



**WARNING!** This gas grill must be installed by a licensed gas fitter. The gas grill can not be connected to the gas supply using hoses except to connect the cylinder regulator to the piping system. The increased temperature within the enclosure may cause the hose to melt. Use the provided flexible metal connector to connect the gas grill to either approved rigid piping, approved copper tubing or approved flexible metal connectors. Ensure the installation conforms to all local and national codes. The entire gas supply installation must be leak tested before operating the gas grill. Refer to the manual for complete grill assembly instructions.

- If the hose and regulator are not included by the manufacturer, then only hoses and regulators which meet national and regional codes are to be used.
- Ensure that the hose does not come into contact with grease, other hot drippings, or any hot surfaces on the appliance.
- Check hose regularly. In the case of rips, melting or wear, replace hose before using the appliance.
- The recommended hose length is 0.9m. The hose must not be longer than 1.5m.
- Ensure that the hose is twist and kink free when installed.
- Replace the hose before expiry date printed on the hose.

## Technical Data

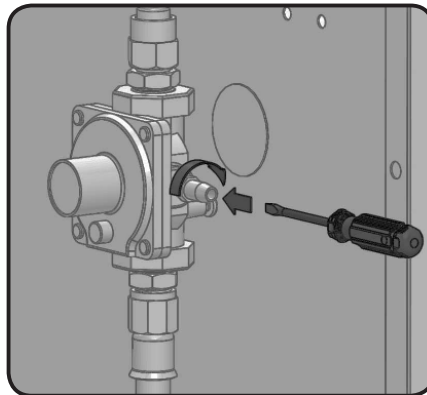
The following table lists input values for the appliance.

Burner	Orifice Size	(Gross) Heat Input (Total)	Gas Usage (Total)
MAIN	58 (1.07mm)	19.2 kW	1396 g/h
BACK	58 (1.07mm)	5.3 kW	385 g/h

Certified Gases / Pressures - Check rating plate to ensure that it corresponds with following list.

Gas Category	I3B/P(30)	I3+(28-30/37)	I3B/P(50)
Orifice Sizes (see above)	I	I	II
Gases / Pressures	Butane 30mbar Propane 30mbar	Butane 28-30mbar Propane 37mbar	Butane 50mbar Propane 50mbar
Countries	BE, BG, CY, DK, EE, FI, FR, GB, HR, HU, IS, IT, LT, LU, MT, NL, NO, RO, SE, SI, SK, TR	BE, CH, CY, CZ, ES, FR, GB, GR, IE, IT, LT, LU, LV, PT, SK, SI	AT, CH, DE, SK

Do not tamper with or modify regulator. Use only regulators, which supply the pressure, listed in the table above. A regulator of 28-30mbar must be used for butane or a 37mbar regulator for propane. For grills set up to operate at 50mbar, the grill is equipped with an internal regulator. This internal regulator has an outlet pressure of 30mbar and must not be modified or adjusted. For replacement, use only the regulator specified by the manufacturer: Maxitrol model number RV47LSMF.



This unit includes an internal regulator which stabilizes the gas pressure and improves grill performance. This regulator cannot be adjusted. There is a pressure tap located on the side of the regulator. It can be used by a qualified service person when servicing the grill to determine if the regulator is functioning properly. The screw within the pressure tap must always be kept tight, except when performing a pressure test on the regulator (qualified service personnel only).

## Gas Hook-Up Instructions



**WARNING!** This grill is designed for non-combustible enclosures only, and must be installed and serviced by a qualified installer to local codes.

**WARNING!** Cabinet frame, cabinet, and counter top must be made from non-combustible material.

**WARNING!** The pressure supplied to the grill must conform to what is listed on the rating plate of the grill. If the supply pressure is greater, a regulator must be installed.

**BUILT IN PROPANE GAS HOOK-UP:** The piping up to the gas grill is the responsibility of the installer and piping should be located as shown in the built-in instructions. A flexible metal connector is included to simplify the installation of the unit. Connect this flexible metal connector to the flare fitting on the end of the manifold. Connect the other end of the connector to the gas piping. Ensure that the connector does not pass through a wall, floor, ceiling or partition, and is protected from damage. Do not use a hose to connect the unit except to connect the cylinder regulator to the piping system. It must be connected with rigid pipe, copper tube or an approved flexible metal connector which complies with national and regional codes.

The installation must comply with national and regional codes. The gas supply pipe must be sufficiently sized to supply the kW input specified on the rating plate, based on the length of the piping run. If installing a side burner, a separate line must be branched off to the side burner unit and enter the side burner opening at the specified location. If the enclosure is to house a propane cylinder, the tank portion of the enclosure must be ventilated according to local codes, and must not have communication with the cavity used to enclose the gas grill. A propane cylinder can not be stored below the gas grill.

**BUILT IN CYLINDER ENCLOSURES:** Built in cylinder enclosures which completely enclose the cylinder must have both of the following:

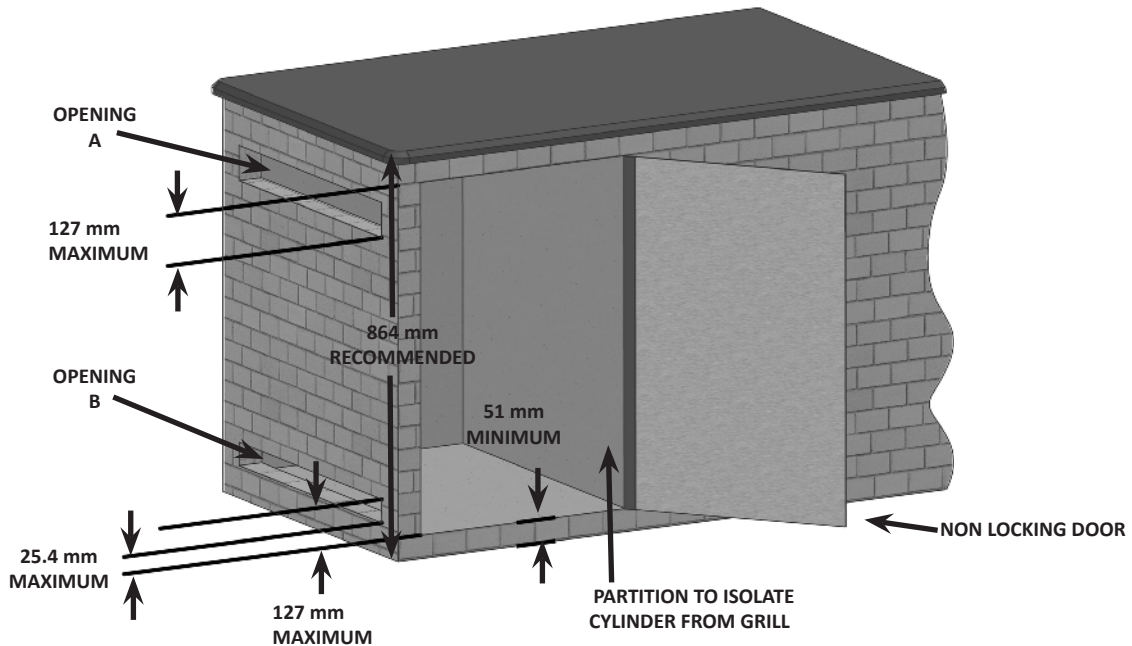
1. At least one unobstructed ventilation opening on the exposed exterior side of the enclosure located within 127mm of the top of the enclosure. The opening must have a total free area of more than 130 cm<sup>2</sup> for a cylinder up to 9 kg and 195 cm<sup>2</sup> for a cylinder larger than 9 kg.
2. At least one ventilation opening on the exposed, exterior side of the enclosure located 25.4 mm or less from the floor level. The opening must have a total free area of more than 65 cm<sup>2</sup> for a cylinder up to 9 kg and 100 cm<sup>2</sup> for a for a cylinder larger than 9 kg. The upper edge must be no more than 127 mm above the floor level.

Every opening must be large enough to permit the entrance of a 3.2 mm rod.



### WARNING!

- The cylinder valve(s) must be readily accessible for hand operation. A door on the enclosure to gain access to the cylinder valves is acceptable, provided it is non-locking and can be opened without the use of tools.
- The enclosure for the LP-gas cylinder must isolate the cylinder from the burner compartment to provide shielding from radiation, a flame barrier, and protection from foreign material, such as hot drippings. The enclosure cannot be located directly below the grill.
- There must be a minimum clearance of 51 mm between the floor of the LP-gas cylinder enclosure and the ground.
- The enclosure must be designed so that the LP-gas cylinder can be connected, disconnected and the connections inspected and tested outside the cylinder enclosure. Any connections that can be disturbed when installing the cylinder in the enclosure must be accessible for testing inside the enclosure.



CYLINDER SIZE	OPENING A AREA	OPENING B AREA
Up to 9 kg	130 cm <sup>2</sup>	65 cm <sup>2</sup>
Larger than 9 kg	195 cm <sup>2</sup>	100 cm <sup>2</sup>



**WARNING!** Built in units are supplied with a drip pan which holds only a minimal amount of grease. To prevent grease fires, the pan must be cleaned after each use.



**WARNING!** Access must be provided to the inside of the enclosure to make gas connections.



**DANGER!** Read all instructions carefully before operating the grill. Failure to follow these instructions exactly could result in a fire causing serious injury or death. The entire installation must be leak tested before operating the grill.

## Leak Testing Instructions



**WARNING!** A leak test must be performed annually and each time a cylinder is hooked up or if a part of the gas system is replaced.



**WARNING!** Never use an open flame to check for gas leaks. Be certain no sparks or open flames are in the area while you check for leaks. Sparks or open flames will result in a fire or explosion, damage to property, serious bodily injury, or death.



**Leak testing:** This must be done before initial use, annually, and whenever any gas components are replaced or serviced. Do not smoke while performing this test, and remove all sources of ignition. See Leak Testing Diagram for areas to check. Turn all burner controls to the off position. Turn gas supply valve on.



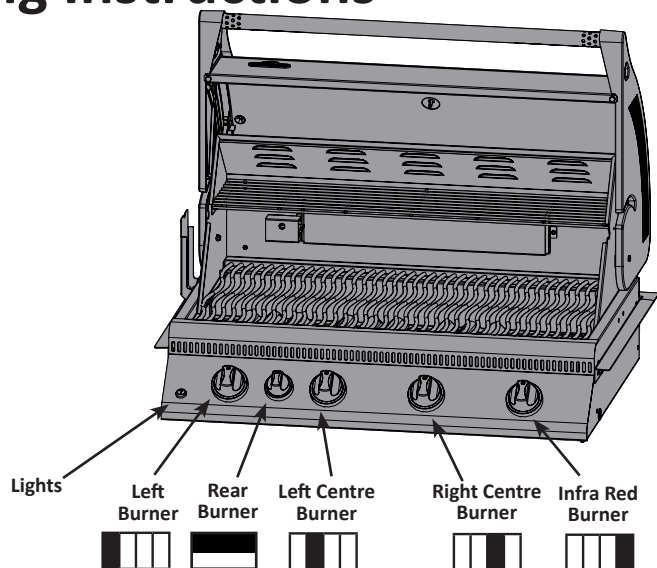
Brush a half-and-half solution of liquid soap and water onto all joints and connections of the regulator, hose, manifolds and valves.



Bubbles will indicate a gas leak. Either tighten the loose joint or have the part replaced with one recommended by the Napoleon Customer Solutions department and have the grill inspected by a certified gas installer.

If the leak cannot be stopped, **immediately shut off the gas supply**, disconnect it, and have the grill inspected by a certified gas installer or dealer. Do not use the grill until the leak has been corrected.

# Lighting Instructions



**WARNING!** Open lid.

Off Position



**WARNING!** Ensure all burner controls are in the off position. Turn on the gas supply valve.

Main Burner Lighting	Rear Burner Lighting (Rotisserie Burner)	Side Burner Lighting (If equipped)
1. Open grill lid.	1. Open grill lid.	1. Open side burner cover.
2. Push and turn any main burner knob slowly to the 'hi' position. This action will ignite the pilot flame which will in turn light the selected burner. If the pilot lights, continue to push down on the control knob until the burner lights and then release.	2. Remove the warming rack.	2. Push and turn side burner control to high position.
3. If the pilot does not ignite, then immediately turn the control knob back to the 'off' position and repeat step 2 several times.	3. Push and turn the rotisserie burner control knob slowly to the 'hi' position. This action will ignite the pilot flame, which will in turn light the burner. If the pilot lights, continue to push down on the burner control knob until the burner lights then release.	3. Press and hold igniter button until burner lights, or light by match.
4. If the pilot and burner will not ignite within 5 seconds, turn the control knob to the 'off' position and wait 5 minutes for any excess gas to dissipate. Either repeat steps 2 and 3 or light with a match.	4. If the burner does not ignite, then immediately turn the control knob back to the 'off' position and repeat step 3 several times.	4. If the burner will not ignite within 5 seconds, turn the control knob to the 'off' position and wait 5 minutes for any excess gas to dissipate. Either repeat steps 2 and 3 or light with a match.
5. If lighting the unit with a match, clip the match into the supplied lighting rod. Hold the lit match down through the grill and sear plate while turning the corresponding burner valve to high.	5. If the burner will not ignite within 5 seconds, turn the control knob to the 'off' position and wait 5 minutes for any excess gas to dissipate. Either repeat steps 3 and 4 or light with a match.	



**WARNING!** Do not use the rear burner (rotisserie burner) with the main burners operating.



# Operating The Grill

**Initial Lighting:** When lit for the first time, the gas grill emits a slight odor. This is a normal temporary condition caused by the “burn-in” of internal paints and lubricants used in the manufacturing process and does not occur again. Simply run the main burners on high for approximately one-half hour.

**Main Burner Use:** When searing foods, we recommend preheating the grill by operating all main burners in the high position with the lid closed for approximately 10 minutes. Food cooked for short periods of time (fish, vegetables) can be grilled with the lid open. Cooking with the lid closed will ensure higher, more even temperatures that can reduce cooking time and cook meat more evenly. Food that has a cooking time longer than 30 minutes, such as roasts, can be cooked indirectly (with the burner lit opposite to the food placement). When cooking very lean meats, such as chicken breasts or lean pork, the grids can be oiled before pre-heating to reduce sticking. Cooking meat with a high degree of fat content can create flare-ups. Either trim the fat or reduce temperatures to inhibit this. Should a flare-up occur, move food away from the flames and reduce the heat. Leave the lid open. See Your All Season Grill cookbook by Napoleon for more detailed instructions.

**Infrared Main Burner Use (If Equipped):** Follow the Infrared Burner Ignition procedures and operate on high for 5 minutes with the lid closed or until the ceramic burners glow red. Place food on the grill(s) and cook according to times listed in the Infrared Grilling Chart. Depending upon your taste, continue cooking over infrared burners on high, medium, or low, turning food frequently, or place food over unlit burners, close lid, and allow the oven temperature to slowly finish cooking your food.



**CAUTION!** Due to the intense heat the infrared burners provide, food left unattended over burners will burn quickly. Keep the lid open when cooking with the infrared burners set to high. The intense heat ensures adequate searing temperatures even with the lid open. This also allows observation of the food to prevent burning.

**Direct Cooking:** Place food to be cooked on the grill directly over the heat. This method is generally used for searing or for foods that do not require prolonged cooking times such as hamburgers, steaks, chicken pieces, or vegetables. The food is first seared to trap-in the juices and flavor, and then the temperature is lowered to finish cooking the food to your preference.

**Indirect Cooking:** With one or more burners operating, place food to be cooked on the grill over a burner that is not operating. The heat circulates around the food, cooking slowly and evenly. Cooking with this method is much the same as cooking in your oven and is generally used for larger cuts of meats such as roasts, chickens or turkeys, but can also be used for cooking foods that are prone to flare-ups or for smoking foods. Lower temperatures and slower cooking times result in tender foods.

**Rear Burner Use (If Equipped):** Remove the warming rack prior to use, the extreme heat will damage the warming rack. Cooking grids should also be removed if they interfere with the rotisserie. The rear burner is designed to be used in conjunction with the rotisserie kit available from your dealer. See the rotisserie kit assembly instructions.

To use the counterbalance - remove the rotisserie motor from the gas grill. Place the spit with meat being cooked across the hangers inside the grill. The meat will naturally hang with the heavy side down. Tighten the counterbalance arm and weight so the arm is facing up. Slide the counterweight in or out to balance the load and tighten in place. Re-install the motor and begin cooking. Place a metal dish underneath the meat to collect drippings for basting and naturally delicious gravy. Basting liquid may be added as required. To seal in juices, first operate rear burner on high until brown, then reduce the heat to thoroughly cook foods. Keep the lid closed for best results. Your roasts and fowl will brown perfectly on the outside and stay moist and tender on the inside. For example, a 3-pound chicken on the rotisserie will be done in approximately 1½ hours on medium to high. Search Grill Master Recipes at <https://www.napoleon.com/en/us/grills/recipes> for “rotisserie”.



**ATTENTION!** Barbecue sauce and salt can be corrosive and will cause rapid deterioration of the gas grill components unless cleaned regularly. When finished cooking disassemble rotisserie components, wash thoroughly with warm soapy water and store indoors.

## Infrared Heat

Most people don't realize that the heat source we are most familiar with, our sun, warms the earth using mainly infrared energy. This is a form of electro-magnetic energy with a wavelength just greater than the red end of the visible light spectrum but less than a radio wave. This energy was discovered in 1800 by Sir William Herschel who dispersed sunlight into its component colors using a prism. He showed that most of the heat in the beam fell into the spectral region just beyond the red end of the spectrum, where no visible light existed. Most materials readily absorb infrared energy in a wide range of wavelengths, causing an increase in its temperature. The same phenomenon causes us to feel warmth when we are exposed to sunlight. The infrared rays from the sun travel through the vacuum of space, through the atmosphere, and penetrate our skin. This causes increased molecular activity in the skin, which creates internal friction and generates heat, allowing us to feel warmth.

Foods cooked over infrared heat sources are heated by the same principle. Charcoal grilling is our most familiar choice for infrared cooking. The glowing briquettes emit infrared energy to the food being cooked with very little drying effect. Any juices or oils that escape from the food drip onto the charcoal and vaporize into smoke giving the food its delicious grilled taste. The Napoleon infrared burner cooks in the same way. In each burner, 10,000 ports – each with its own tiny flame – cause the surface of the ceramic tile to glow red. This glow emits the same type of infrared heat to the food as charcoal, without its hassle or mess. Infrared burners also provide a more consistently heated area that is far easier to regulate than a charcoal fire. For instant searing, the burners can be set to high, yet they can also be turned down for slower cooking. We all know how difficult that is on a charcoal fire. Traditional gas burners heat the food in a different way. The air surrounding the burner is heated by the combustion process and then rises to the food being cooked. This generates lower grill temperatures that are ideal for more delicate cuisine such as seafood or vegetables, whereas Napoleon's infrared burners produce searing heat for juicier, tastier steaks, hamburgers and other meats. For cooking times and tips refer to the Infrared Grilling Chart.

## Infrared Grilling Chart

Food	Control Setting	Cooking Time	Helpful Suggestions
Steak 1 in. (2.54cm) thick	High setting 2 min. each side.	4 min. – Rare	When selecting meat for grilling, ask for marbled fat distribution. The fat acts as a natural tenderizer while cooking and keeps it moist and juicy.
	High setting 2 min. each side then medium setting.	6 min. – Medium	
	High setting 2 min. each side then medium setting.	8 min. – Well done	
Hamburger 1/2 in. (1.27cm) thick	High setting 2 min. each side.	4 min. – Rare	Preparing hamburgers to order is made easier by varying the thickness of your patties. To add an exotic taste to your meat, try adding hickory-flavored woodchips to Napoleon's woodchip smoker.
	High setting 2 1/2 min. each side.	5 min. – Medium	
	High setting 3 min. each side.	6 min. – Well done	
Chicken pieces	High setting 2 min. each side. then medium-low to low setting.	20-25 min.	The joint connecting the thigh and the leg from the skinless side should be sliced 3/4 of the way though for the meat to lay flatter on the grill. This helps it to cook faster and more evenly. To add a trademark taste to your cooking, try adding mesquite-flavoured woodchips to your Napoleon woodchip smoker.
Pork chops	Medium	6 min. per side	Trim off the excess fat before grilling. Choose thicker chops for more tender results.
Spare ribs	High setting for 5 minutes low to finish	20 min. per side turn often	Choose ribs that are lean and meaty. Grill until meat easily pulls away from the bone.
Lamb chops	High setting for 5 minutes medium to finish	15 min. per side	Trim off the excess fat before grilling. Choose extra thick chops for more tender results.
Hot dogs	Medium - Low	4-6 min.	Select the larger size wieners. Slit the skin lengthwise before grilling.

# Maintenance / Cleaning Instructions

We recommend this gas grill be thoroughly inspected and serviced annually by a qualified service person. At all times keep the gas grill area free from combustible materials, gasoline and other flammable vapors and liquids. Do not obstruct the flow of ventilation and combustion air. Keep the cylinder enclosure ventilation openings (located on the cart sides and at the front and back of the bottom shelf) free and clear from debris.



**WARNING!** Always wear protective gloves and safety glasses when servicing your grill.



**WARNING!** To avoid the possibility of burns, maintenance should be done only when the grill is cool. Avoid unprotected contact with hot surfaces. Ensure all burners are turned off. Clean grill in an area where cleaning solutions will not harm decks, lawns, or patios. Do not use oven cleaner to clean any part of this gas grill. Do not use a self-cleaning oven to clean cooking grids or any other parts of the gas grill. Barbecue sauce and salt can be corrosive and will cause rapid deterioration of the gas grill components unless cleaned regularly.



**Note:** Stainless steel tends to oxidize or stain in the presence of chlorides and sulfides, particularly in coastal areas and other harsh environments, such as the warm, highly humid atmosphere around pools and hot tubs. These stains could be perceived as rust, but can be easily removed or prevented. To provide stain prevention and removal, wash all stainless steel and chrome surfaces every 3-4 weeks or as often as required with fresh water and/or stainless steel cleaner.



**WARNING!** Always wear protective gloves and safety glasses when cleaning your grill.



**WARNING!** Turn off the gas at the source and disconnect the unit before servicing. To avoid the possibility of burns, maintenance should be done only when the grill is cool. A leak test must be performed annually and whenever any component of the gas train is replaced or gas smell is present.

**Grids And Warming Rack:** The grids and warming rack are best cleaned with a brass wire brush during the pre-heating period. Steel wool can be used for stubborn stains. It is normal that stainless grids (if equipped) will discolor permanently from regular usage due to the high temperature of the cooking surface.

**Control Panel:** The control panel text is printed directly on the stainless steel and with proper maintenance will remain dark and legible. To clean the panel, use only warm soapy water. Never apply abrasive cleaners on any stainless surfaces, especially the printed portion of the control panel or the printing will gradually rub off.

**Cleaning Inside The Gas Grill:** Remove the cooking grids. Use a brass wire brush to clean loose debris from the casting sides and underneath the lid. Scrape the sear plates with a putty knife or scraper, and use a wire brush to remove the ash. Remove the sear plates and brush debris from the burners with the brass wire brush. Sweep all debris from inside the gas grill into the drip pan.



**WARNING!** Accumulated grease is a fire hazard.

**Drip Pan:** Clean the drip pan frequently (every 4 – 5 uses or as often as required) to avoid grease buildup. Grease and excess drippings pass through to the drip pan, located beneath the gas grill and accumulate in the disposable grease tray below the drip pan. To access the disposable grease tray or to clean the drip pan, slide the drip pan free of the grill. Never line the drip pan with aluminum foil, sand or any other material as this could prevent the grease from flowing properly. The pan should be scraped out with a putty knife or scraper. Replace the disposable grease tray every 2 – 4 weeks, depending on gas grill usage. For supplies, see your Napoleon Gas Grill dealer.

**Cleaning The Outer Grill Surface:** Do not use abrasive cleaners or steel wool on any painted, porcelain or stainless steel parts of your Napoleon Grill. Doing so will scratch the finish. Exterior grill surfaces should be cleaned with warm soapy water while the metal is still warm to the touch. To clean stainless surfaces, use a stainless steel or a non-abrasive cleaner. Always wipe in the direction of the grain. Over time, stainless steel parts discolor when heated, usually to a golden or brown hue. This discoloration is normal and does not affect the performance of the grill. Porcelain enamel components must be handled with additional care. The baked-on enamel finish is glass-like, and will chip if struck. Touch-up enamel is available from your Napoleon Grill dealer.



**CAUTION!** Check for abrasions, melting, cuts, and cracks in the hose. If any of these conditions exist, do not use the gas grill. Have the part replaced by your Napoleon Grill dealer or qualified gas installer.



**Tube Burner:** The burners are made from heavy wall 304 stainless steel, but extreme heat and a corrosive environment can cause surface corrosion to occur. This can be removed with a brass wire brush.

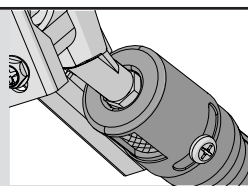
**CAUTION! Beware of Spiders.**

Spiders and insects are attracted to the smell of propane and natural gas. The burner is equipped with an insect screen on the air shutter, which reduces the likelihood of insects building nests inside the burner but does not entirely eliminate the problem. A nest or web can cause the burner to burn with a soft yellow or orange flame or cause a fire (flashback) at the air shutter beneath the control panel. To clean the inside of the burner, it must be removed from the gas grill: Remove the screw that attaches the burner to the back wall. Slide the burner back and upwards to remove. Cleaning: Use a flexible venturi tube brush to clean the inside of the burner. Shake any loose debris from the burner through the gas inlet. Check the burner ports and valve orifices for blockages. Burner ports can close over time due to cooking debris and corrosion, use an opened paperclip or the supplied port maintenance bit to clean them. Drill out blocked ports using this drill bit in a small cordless drill. The ports are easier to clean if the burner is removed from the grill, but it can also be done with the burner installed. Do not flex the drill bit when drilling the ports, as this will cause the drill bit to break. This drill is for burner ports only, not for the brass orifices (jets) which regulate the flow into the burner. Take care not to enlarge the holes. Ensure the insect screen is clean, tight, and free of any lint or other debris.

**Reinstallation:** Reverse the procedure to reinstall the burner. Check that the valve enters the burner when installing.



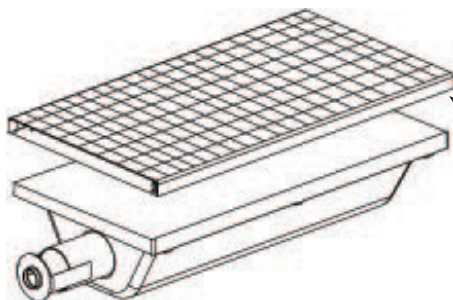
**WARNING!** When reinstalling the burner after cleaning it is very important that the valve/orifice enters the burner tube before lighting your gas grill. If the valve is not inside the burner tube a fire or explosion could occur.



**Infrared Burners:** Because of the high intensity of the infrared burner, most drippings and food particles that fall onto the burner surface are immediately incinerated. However, some debris and residue may remain. To remove this residue after cooking, operate the grill on high for 5-10 minutes. Do not clean the ceramic tile with a wire brush.

**Protection Of Infrared Burners:** The infrared burners of your grill are designed to provide a long service life, though care must be taken to prevent cracking of their ceramic surfaces. Fractures will cause the burners to malfunction. The following provides a few of the causes of cracks and the steps you can take to avoid them. Damage caused by failure to follow these steps is not covered by your grill warranty.

1. Impact with hard objects - Never allow hard objects to strike the ceramic. Take care when inserting or removing cooking grates and accessories into or from the grill.
2. Contact with water or other liquids - Cold liquids contacting the hot ceramic surfaces can cause them to break. Never throw water into the grill to douse a flame. If the ceramic or interior of a burner becomes wet while not in use, later operation of the burner can create steam, which can produce sufficient pressure to crack the ceramic. Repeated soaking of the ceramic can also cause it to swell and expand. This expansion causes undue pressure on the ceramic that can cause it to crack and crumble.
  - i) Never throw water into the grill to control flare-ups.
  - ii) Do not attempt to operate the infrared burners in open air while raining.
  - iii) If you find standing water in your grill (because of exposure to rainfall, sprinklers, etc.), inspect the ceramic for evidence of possible water-soaking. If the ceramic appears to be wet, remove the burner from the grill. Turn it upside down to drain the excess water and bring indoors to dry thoroughly.
3. Impaired ventilation of hot air from the grill - For the burners to function properly, hot air must have a way to escape the grill. If the hot air is not allowed to escape, the burners can become deprived of oxygen causing them to back-flash. If this occurs repeatedly, the ceramic could crack. Never cover more than 75% of the cooking surface with solid metal (i.e., griddle or large pan).
4. Incorrect cleaning - Do not clean the ceramic tile with a wire brush. If debris is collecting on your burner, light the burner and operate on high for 5 minutes with the lid open, allowing debris to burn off.



**REPLACEMENT SCREEN S81006**

# Troubleshooting

EN

Problem	Possible Causes	Solution
Low heat / Low flame when valve turned to high.	For propane - improper lighting procedure.  For natural gas - undersized supply line.  For both gases - improper preheating.	Ensure lighting procedure is followed carefully. All gas grill valves must be in the off position when the tank valve is turned on. Turn tank on slowly to allow pressure to equalize. See lighting instructions.  Pipe must be sized according to installation code.  Preheat grill with both main burners on high for 10 to 15 minutes.
Excessive flare-ups/ uneven heat.	Sear plates installed incorrectly.  Improper preheating.  Excessive grease and ash build on sear plates and in drip pan.	Ensure sear plates are installed with the holes towards the front and the slots on the bottom. See assembly instructions.  Preheat grill with both main burners on high for 10 to 15 minutes.  Clean sear plates and drip pan regularly. Do not line pan with aluminum foil. Refer to cleaning instructions.
Burners burn with yellow flame, accompanied by the smell of gas.	Possible spider web or other debris, or improper air shutter adjustment.	Thoroughly clean burner by removing. See general maintenance instructions.
Humming regulator.	Normal occurrence on hot days.	This is not a defect. It is caused by internal vibrations in the regulator and does not affect the performance or safety of the gas grill. Humming regulators will not be replaced.
Burners will not cross light each other.	Plugged ports at back of burner.	Clean burner ports. See burner maintenance instructions.
"Paint" appears to be peeling inside lid or hood.	Grease build-up on inside surfaces.	This is not a defect. The finish on the lid and hood is porcelain, and will not peel. The peeling is caused by hardened grease, which dries into paint-like shards, that flake off. Regular cleaning will prevent this. See cleaning instructions.
Infrared burner (if equipped) flashes back (during operation the burner abruptly makes a loud "whoosh" sound, followed by a continuous blow-torch type sound and grows dim.)	Ceramic tiles overloaded with grease drippings and build-up. Ports are clogged.  Burner overheated due to inadequate ventilation (too much grill surface covered by griddle or pan.)  Cracked ceramic tile.  Leaking gasket surrounding the ceramic tile, or a weld failure in the burner housing.	Turn burner off and allow to cool for at least two minutes. Relight burner and burn on high for at least five minutes or until the ceramic tiles are evenly glowing red.  Ensure that no more than 75% of the grill surface is covered by objects or accessories. Turn burner off and allow to cool for at least two minutes, then relight.  Allow burner to cool and inspect very closely for cracks. If any cracks are found, contact your authorized Napoleon dealer to order a replacement burner assembly.  Contact your authorized Napoleon dealer for instructions on ordering a replacement burner assembly.

**KEEP YOUR RECEIPT AS PROOF OF PURCHASE TO VALIDATE YOUR WARRANTY.**

## Ordering Replacement Parts

### *Warranty Information*

MODEL: \_\_\_\_\_

DATE OF PURCHASE: \_\_\_\_\_

SERIAL NUMBER: \_\_\_\_\_

### ***(Record information here for easy reference)***

For replacement parts and warranty claims, contact the Napoleon dealer where the product was purchased.

Before contacting the dealer, check the Napoleon Grills Website for more extensive cleaning, maintenance, troubleshooting and parts replacement instructions at [www.napoleon.com](http://www.napoleon.com).

To process a claim, the following information is required:

1. Model and serial number of the unit.
2. Part number and description.
3. A concise description of the problem ('broken' is not sufficient).
4. Proof of purchase (photocopy of the invoice).

In some cases, Napoleon could request to have the parts returned to the factory for inspection before providing replacement parts.

Before contacting Napoleon dealer, please note that the following items are not covered by the warranty:

- Costs for transportation, brokerage or export duties.
- Labour costs for removal and reinstallation.
- Costs for service calls to diagnose problems.
- Discolouration of stainless steel parts.
- Part failure due to lack of cleaning and maintenance, or use of improper cleaners (oven cleaner or other harsh chemicals).



**CAUTION!** During unpacking and assembly we recommended you wear work gloves and safety glasses for your protection. Although we make every effort to make the assembly process as problem free and safe as possible, it is characteristic of fabricated steel parts that the edges and corners might be sharp and could cause cuts if handled incorrectly.



**WARNING!** Construction materials and masonry dust may cause surface damage to units and accessories. The best option is to install components after all construction has been completed and the jobsite has been thoroughly cleaned. If the components must be installed prior to the construction being completed, then exposed surfaces need to be covered to prevent corrosion. All surfaces must be cleaned when construction is completed. Do not use muriatic acid to clean masonry materials from any surfaces. The lime contained in some construction materials is extremely corrosive. During its curing period, (1 - 2 months) it is recommended that a stainless steel polish or wax (car wax is acceptable) be applied to prevent direct contact of the lime materials.



## Getting Started

1. Remove all cart panels, hardware, and grill head from carton. Raise lid and remove any components packed inside. Use the parts list to ensure all necessary parts are included.
2. Do not destroy packaging until the grill has been fully assembled and operates to your satisfaction.
3. Assemble the grill where it is to be used, lay down cardboard or a towel to protect parts from being lost or damaged while assembling.
4. **Most stainless steel parts are supplied with a protective plastic coating that must be removed prior to using the grill. The protective coating has been removed from some of the parts during the manufacturing process and may have left behind a residue that can be perceived as scratches or blemishes. To remove the residue, vigorously wipe the stainless steel in the same direction as the grain.**
5. Follow all instructions in the order that they are laid out in this manual.
6. Two people are required to lift the grill head onto the assembled cart.



If you have any questions about assembly or grill operation, or if there are damaged or missing parts please call our Customer Solutions Department at 1-866-820-8686 between 9 AM and 5 PM (Eastern Standard Time).

### **TOOLS REQUIRED FOR ASSEMBLY (tools not included)**

3/8 (10mm)



# BUILT-IN UNIT OPENING DIMENSIONS

MODEL	OPENING DIMENSIONS			NOTES
	W	D	H	
BILEX605	930mm	545mm	225mm	
SIDE BURNER	324mm	419mm	114mm	OPENING OF AT LEAST $32\text{cm}^2$ MUST BE PROVIDED FOR COMBUSTION AIR FOR SIDE BURNER.



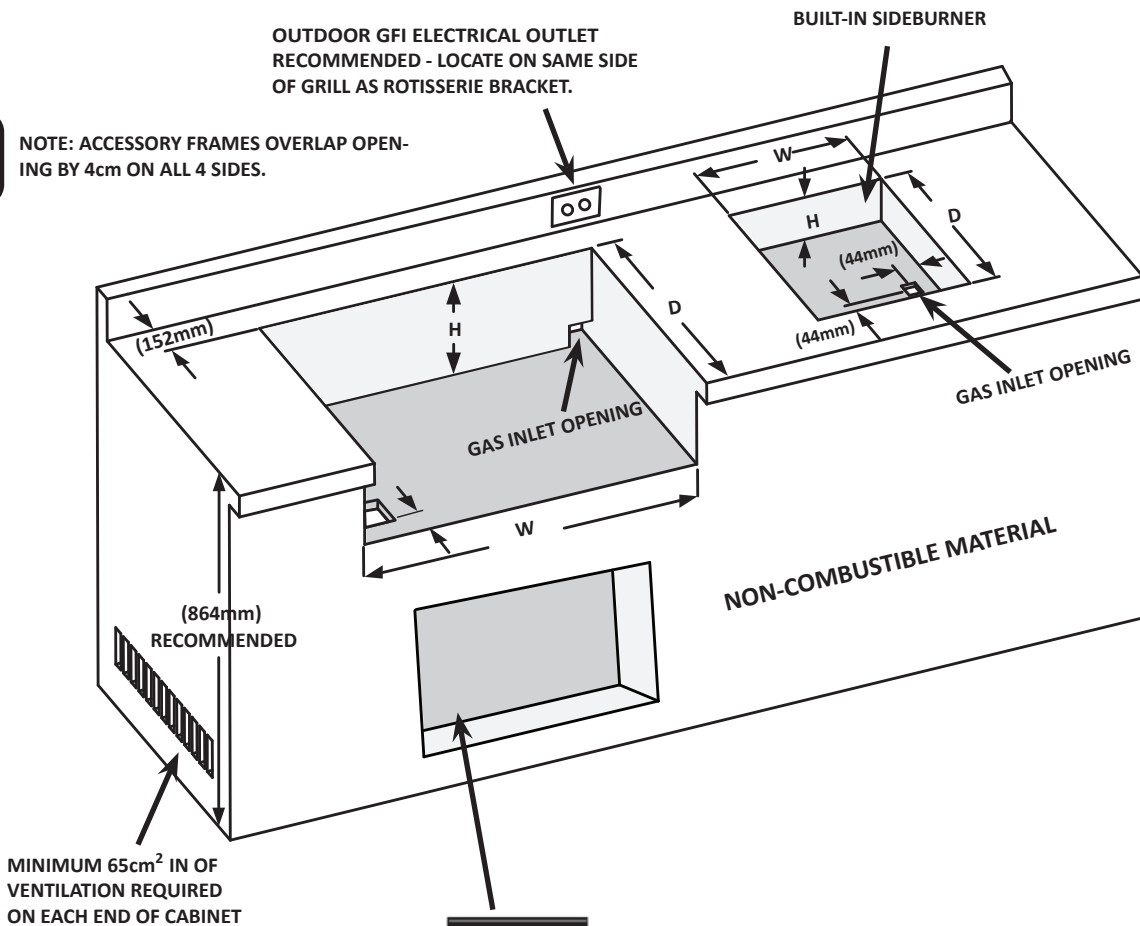
**WARNING!** This grill is designed for Non-combustible enclosures only, and must be installed and serviced by a qualified installer to local codes.



**WARNING!** Enclosures must be built from non combustible materials (certified class A to EN 13501-1 standard).



NOTE: ACCESSORY FRAMES OVERLAP OPENING BY 4cm ON ALL 4 SIDES.

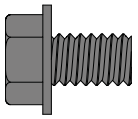


**WARNING!** CABINET FRAME, CABINET AND COUNTER TOP MUST BE MADE FROM NON-COMBUSTIBLE MATERIAL.



# BILEX605 BUILT-IN INSTRUCTIONS

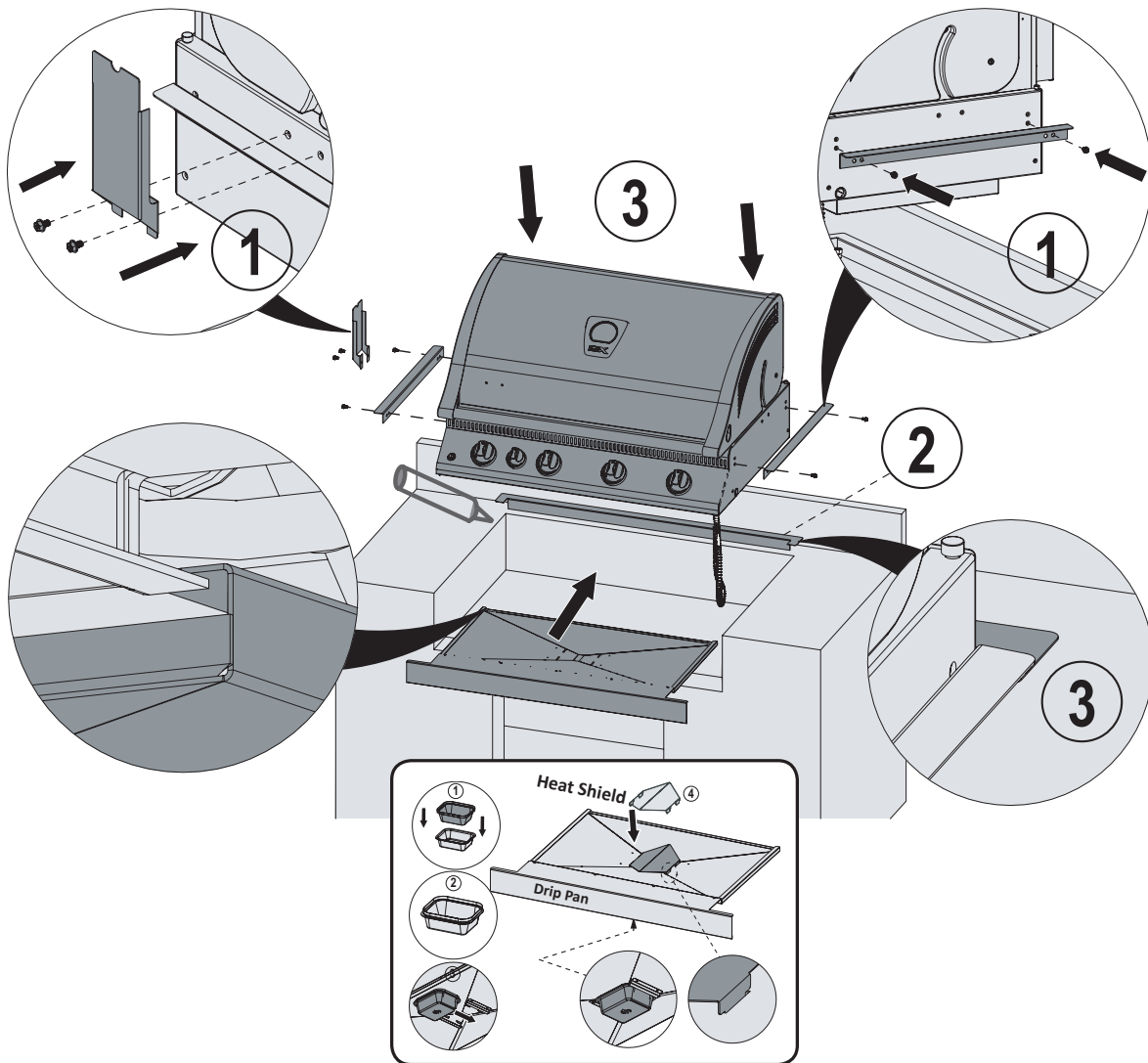
EN



2 x N570-0073 (1/4-20 X 3/8")

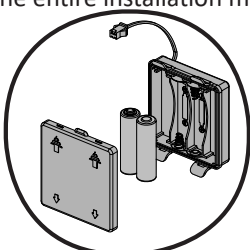


3/8" (10mm)

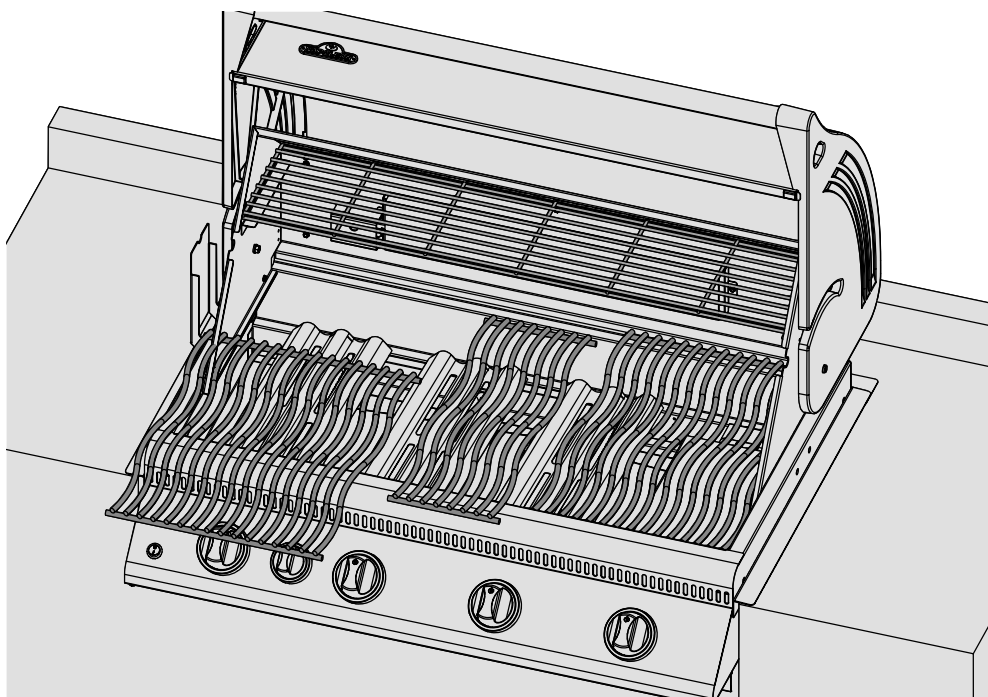
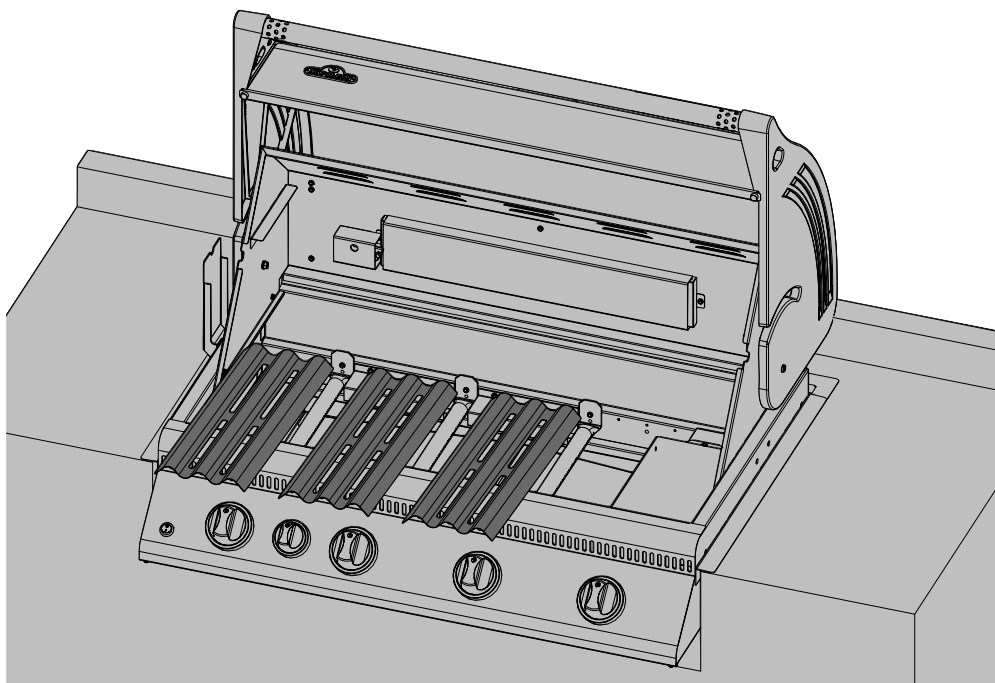


This grill is designed for masonry, **NON-COMBUSTIBLE** enclosures only when not installed with the zero clearance liner and must be installed and serviced by a qualified installer to local codes.

1. Attach side mounting brackets to each side of the grill using #1/4-20 x 3/8" screws (N570-0073).
2. Lay the rear trim piece across the back of the opening. To keep it in place, a dab of silicone may be applied to each wing of the rear trim.
3. Lower the unit in place, the wings on the rear trim should be under the side mounting brackets. Connect the flex supply line to the fitting at the end of the manifold.
4. The entire installation must be leak tested before operating the unit.



**Install batteries as illustrated. Plug wire from LED (lights) located underneath control panel into wire from battery pack. Ensure wires do not come in contact with the bottom of the grill. The battery pack module must be mounted inside the enclosure, at least 20cm below the bottom of the drip pan, to prevent the module from overheating. Ensure wires and module do not interfere with drip pan removal.**



***Label provided***



PEEL THE BACKING OFF THE SUPPLIED WARNING LABEL AND APPLY IT WHERE IT IS VISIBLE WHEN OPERATING THE GRILL.

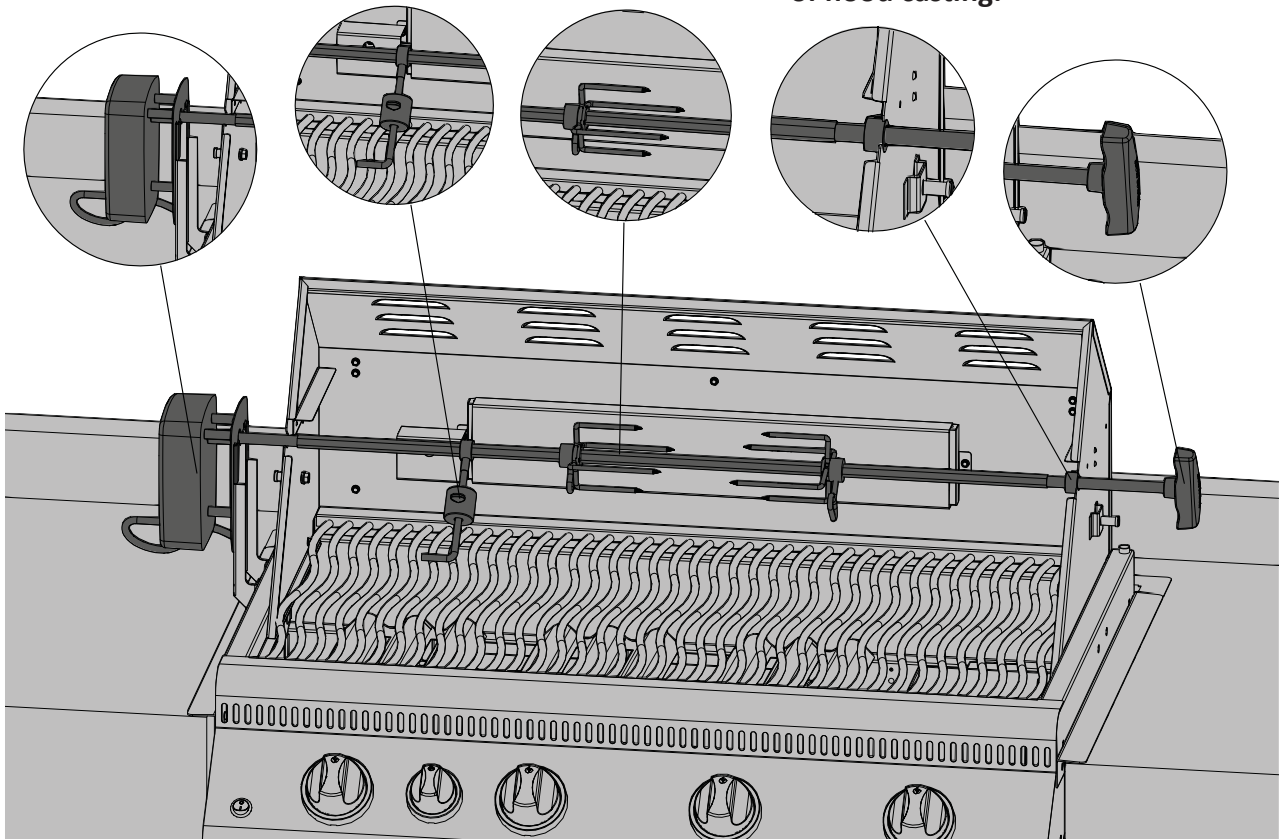
## Rotisserie Kit Assembly Instruction

(optional)

Assemble rotisserie kit components as shown.



Ensure stop bushing is tightened on the inside of hood casting.



# Leak Testing Instructions



**WARNING!** A leak test must be performed annually and each time a cylinder is hooked up or if a part of the gas system is replaced.



**WARNING!** Never use an open flame to check for gas leaks. Be certain no sparks or open flames are in the area while you check for leaks. Sparks or open flames will result in a fire or explosion, damage to property, serious bodily injury, or death.



**Leak testing:** This must be done before initial use, annually, and whenever any gas components are replaced or serviced. Do not smoke while performing this test, and remove all sources of ignition. See Leak Testing Diagram for areas to check. Turn all burner controls to the off position. Turn gas supply valve on.

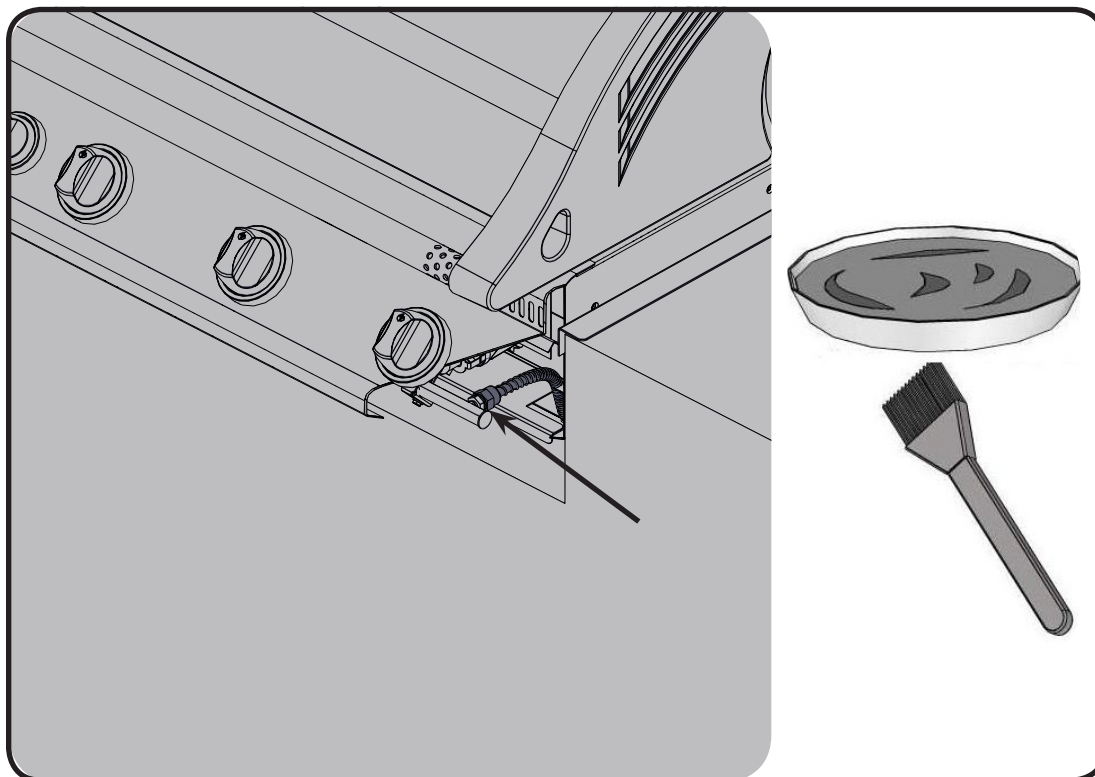


Brush a half-and-half solution of liquid soap and water onto all joints and connections of the regulator, hose, manifolds and valves.



Bubbles will indicate a gas leak. Either tighten the loose joint or have the part replaced with one recommended by the Napoleon Customer Solutions department and have the grill inspected by a certified gas installer.

If the leak cannot be stopped, **immediately shut off the gas supply**, disconnect it, and have the grill inspected by a certified gas installer or dealer. Do not use the grill until the leak has been corrected.



**Parts List**

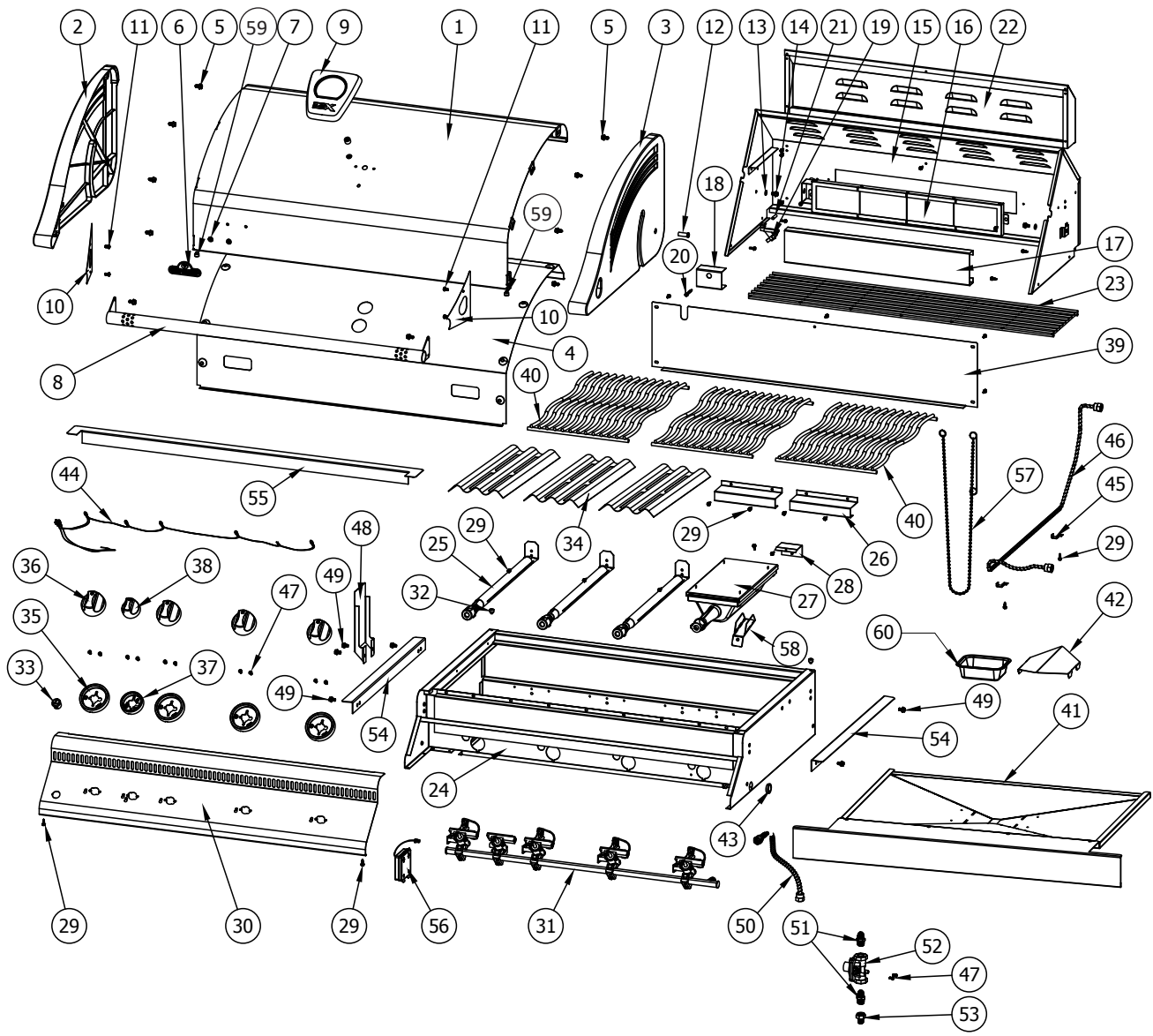
Item	Part #	Description	BILEX605
1	N335-0044L	stainless steel lid insert	x
2	N135-0042-GY1HT	left side lid casting	x
3	N135-0043-GY1HT	right side lid casting	x
4	N585-0081	heat shield lid	x
5	N570-0091	1/4-20 x 1/2" screw	x
6	N385-0307-SER	NAPOLEON logo	x
7	W450-0005	logo spring clips	x
8	N010-0739	lid handle	x
9	N685-0013	temperature gauge	x
10	N080-0287-GY1HT	lid casting cover	x
11	N570-0019	10-24 x 1/4" screw	x
12	N570-0015	lid pivot screw	x
13	N735-0003	1/4" lockwasher	x
14	N570-0073	1/4-20 x 3/8" screw	x
15	N010-0592	hood assembly	x
16	N010-0527P-30	infra red rear burner	x
17	N565-0007	infrared burner screen	x
18	N080-0206-M05	rear burner electrode cover	x
19	N240-0024P	rear burner electrode c/w pilot	x
20	Z570-0002	rear burner electrode cover screw	x
21	N615-0011	rear burner electrode cover spacer	x
22	N200-0080-M06	infra red rear burner cover	x
23	N520-0024	warming rack	x
24	N010-0598	base	x
25	N100-0036	main burner	x
26	N080-0208	main burner cross light bracket	x
27	N010-0499	infra red main burner	x
28	N080-0207	support bracket infra red burner	x
29	N570-0008	#8 x 1/2" screw	x
30	N475-0317-GB-DE	control panel	x
31	N010-0544-30	manifold assembly c/w valves	x
32	Z510-0003	black silicone lid bumper	x
33	N660-0002	switch light	x
34	N305-0057-M05	sear plate	x
35	N051-0011	control knob bezel large	x
36	N380-0021-CL	burner control knob large	x
37	N051-0012	control knob bezel small	x
38	N380-0020-CL	burner control knob small	x
39	N200-0079-GY1SG	back cover	x
40	N305-0058	cooking grids - stainless rod large	x
	N305-0090	cooking grids - stainless rod small	x
41	N010-1208	drip pan	x
42	N585-0134	heat shield	x
43	N105-0001	bushing 7/8"	x

**Parts List**

Item	Part #	Description	BILEX605
44	N750-0021B	wiring harness led	x
45	N160-0017	clip rear burner tube	x
46	N720-0053	rear burner supply tube	x
47	N570-0078	M4 x 8 mm screw	x
48	N475-0301-M06	rotisserie mount	x
49	N570-0073	1/4-20 x 3/8" screw	x
50	N010-0281	manifold flex connector	x
51	W445-0021	union fitting 3/8" - 3/8"	x
52	N530-0021-SER	regulator step down	x
53	N255-0014	fitting	x
54	N080-0216	mount bracket	x
55	N715-0085	rear trim	x
56	N190-0001	battery pack	x
57	N555-0097	lighting rod	x
58	N215-0007-M05	deflector infra red burner	x
59	N510-0013	black silicone bumper	x
60	N710-0062	grease tray	x
	69333	rotisserie kit -UK	ac
	69332	rotisserie kit - CE	ac
	61606	cover	ac
	56018	stainless steel griddle	ac
	56040	cast iron griddle	ac
	67732	charcoal tray	ac
	62007	kit of 5 replacement grease trays	ac

x - standard

ac - accessory





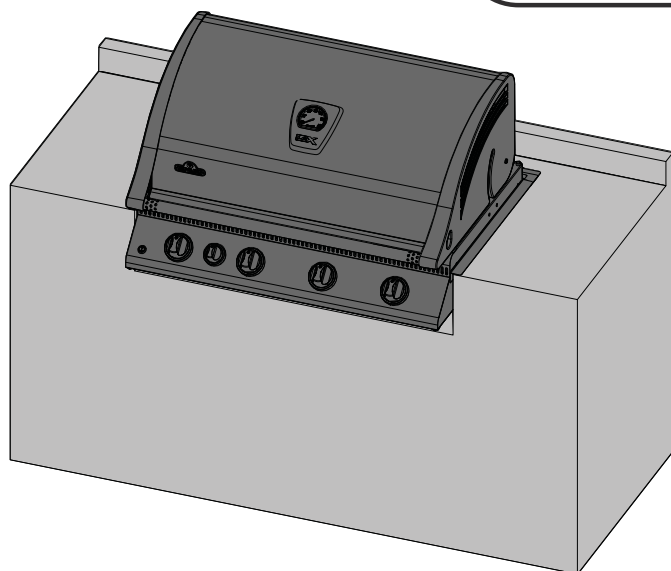
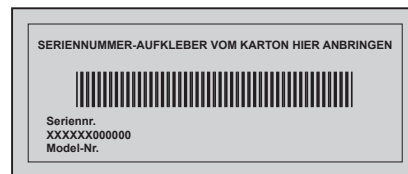
*Notes*

EN





Dieser Gasgrill darf nur an einem gut belüfteten Ort im Freien benutzt werden, nicht jedoch in einem Gebäude, einer Garage oder einem anderen geschlossenen Bereich.



**BILEX 605**

DE



**WARNUNG!** FÜR DIE SCHRANKKRAHMEN, SCHRÄNKE UND ARBEITSFLÄCHEN AUSSCHLIESSLICH NICHT BRENNBARE MATERIALIEN VERWENDEN.



### GEFAHR

WENN ES NACH GAS RIECHT:

- Gaszufuhr zum Gerät absperren.
- Flammen löschen.
- Haube öffnen.
- Wenn es weiterhin nach Gas riechen sollte, dem Gerät fernbleiben und unverzüglich den Gaslieferanten oder die Feuerwehr benachrichtigen.



### WARNUNG

Vor dem Zünden dieses Geräts bitte unbedingt den Abschnitt „ZÜNDANLEITUNG“ lesen. In der Nähe dieses oder anderer Geräte dürfen weder Benzin noch andere brennbaren Flüssigkeiten oder Gase gelagert werden. Dies gilt auch für nicht angeschlossene Gasflaschen. Ein Nichtbefolgen dieser Anleitung kann durch Brände oder Explosionen zu Sachschäden und Körperverletzungen, auch zu tödlichen, führen.

Erwachsene und insbesondere Kinder sollten vor den Gefahren beim Umgang mit hohen Oberflächentemperaturen gewarnt werden. Kleine Kinder, die sich in der Nähe des Gasgrills aufhalten, sollten stets beaufsichtigt werden.

**Bitte Bewahren Sie Diese Anleitung Auf**



N415-0563CE-GB-DE JUL 16.19

Wolf Steel Europe BV  
Poppenbouwing 29-31, 4191 NZ Geldermalsen,  
CCI No. 51509970, THE NETHERLANDS  
[info@napoleongrills.nl](mailto:info@napoleongrills.nl)

[www.napoleon.com](http://www.napoleon.com)

# Napoleon Presidents 15 Jahre beschränkte Garantie



NAPOLEON-Produkte bestehen aus hervorragenden Bauteilen und Materialien und werden von Fachkräften montiert, die stolz auf ihre Arbeit sind. Sie werden von gelernten Handwerkern, denen ihre Arbeit mit großem Stolz erfüllt, montiert. Vor dem Verpacken für den Versand sind Ventile und Brenner auf einem Qualitätsprüfstand leakagegeprüft bzw. probegezündet und von einem qualifizierten Techniker inspiziert worden, damit der Kunde genau das Qualitätsprodukt erhält, das er von NAPOLEON erwartet.

Die Firma NAPOLEON garantiert, dass ab Kaufdatum an den Komponenten Ihres neuen NAPOLEON-Produkts weder Material- noch Verarbeitungsmängel auftreten, während:

Aluminium Gussteile / Edelstahl Grillkammer .....	<b>15 Jahre</b>
Edelstahl Deckel .....	<b>15 Jahre</b>
Porzellan-Emaillierter Deckel .....	<b>15 Jahre</b>
Edelstahl Grillroste .....	<b>15 Jahre</b>
Edelstahl Hauptrohrbrenner .....	<b>10 Jahre 100%, der nächsten 5 Jahre 50%</b>
Edelstahl Flammenschutzsätze .....	<b>5 Jahre 100%, der nächsten 10 Jahre 50%</b>
Porzellan-beschichtete Grillroste .....	<b>5 Jahre 100%, der nächsten 10 Jahre 50%</b>
Keramik-Infrarotbrenner (ex. Gitter) .....	<b>5 Jahre 100%, der nächsten 10 Jahre 50%</b>
Sonstige Teile .....	<b>2 Jahre 100%</b>

#### \*Bedingungen und Beschränkungen

Diese beschränkte Garantie bewirkt eine wie zuvor in der Aufstellung aufgeführte Garantiefrist für jedes bei einem autorisierten NAPOLEON Händler erworbene Produkt und berechtigt den ursprünglichen Käufer, entsprechend den geltenden Bestimmungen hinsichtlich des Komponentenaustauschs innerhalb der Garantiefrist, zu den entweder durch NAPOLEON oder einen autorisierten NAPOLEON Händler zu erbringenden Garantieleistungen. Diese beziehen sich auf den Austausch einer Komponente eines solchen Produkts, das im normalen Privatgebrauch infolge eines Herstellungsfehlers ausfiel. „Abzüglich 50 %“, wie in der Aufstellung genannt, bedeutet, dass die Komponente dem Käufer für den angegebenen Zeitraum mit 50 % Rabatt auf den regulären Verkaufspreis der Komponente angeboten wird. Diese beschränkte Garantie umfasst weder Zubehör noch Extrateile.

Um Missverständnissen vorzubeugen, „normaler Privatgebrauch“ eines Produkts bedeutet, dass das Produkt durch einen lizenzierten, autorisierten Servicetechniker oder Auftragnehmer in Übereinstimmung mit der dem Produkt beigefügten Installationsanleitung sowie allen lokalen und nationalen Bauverordnungen und Feuerschutzbestimmungen installiert wurde, dass es ordnungsgemäß gepflegt wurde und dass es nicht als Gemeinschaftsvorrichtung oder gewerblich genutzt wurde.

„Ausfallen“ beinhaltet nicht: übermäßige Hitzeerzeugung; Erlöschen der Flammen infolge von Umgebungsbedingungen wie starkem Wind oder unzureichender Luftzirkulation; Kratzer; Beulen; Rostbildung; Abnutzung von aufgetragenen Lackierungen und Plattierungen; durch Hitzeeinwirkung, scheuernde oder chemische Reinigungsmittel oder UV-Bestrahlung verursachte Verfärbung; Beschädigung porzellan-emaillierter Teile oder Schäden, die verursacht wurden durch unsachgemäße Nutzung, Unfall, Hagel, Fettbrand, mangelnde Pflege, widrige Umgebungseinflüsse wie Salz oder Chlor, Umbau, Nachlässigkeit oder installierte

Teile von anderen Herstellern. Sollten sich während der gewährten Garantiefrist Teile so sehr abnutzen, dass die Nutzung nicht mehr möglich ist (durchgerostet oder -gebrannt), werden die entsprechenden Ersatzteile bereitgestellt.

NAPOLEON ist gemäß dieser beschränkten Garantie einzig für die Ersatzkomponente verantwortlich. Unter keinen Umständen wird NAPOLEON Verantwortung übernehmen für Installation, Arbeitskräfte oder jegliche andere Kosten im Zusammenhang mit der Installation eines im Garantiumfang enthaltenen neuen Teils; für Neben-, Folge- oder indirekte Schäden oder für Fracht, Arbeitskosten oder Ausfuhrzölle.

Diese beschränkte Garantie gilt in Ergänzung zu jeglichen Rechten, die Ihnen laut den örtlichen Gesetzen zustehen. Folglich erlegt diese beschränkte Garantie NAPOLEON keine Verpflichtung dahingehend auf, Einzelteile vorrätig zu halten. Auf der Grundlage der Einzelteilverfügbarkeit kann sich NAPOLEON nach eigenem Ermessen von allen Verpflichtungen entbinden, indem dem entsprechenden Kunden eine anteilige Gutschrift beim Kauf eines neuen Produkts gewährt wird. Nach dem ersten Jahr kann sich NAPOLEON in Bezug auf diese beschränkte Garantie nach eigenem Ermessen von allen Verpflichtungen hinsichtlich dieser Garantie vollständig entbinden, indem dem ursprünglichen und ein Garantieanspruch zustehenden Käufer der Großhandelspreis eines jeden im Garantiumfang enthaltenen aber defekten Einzelteils erstattet wird.

Für die Geltendmachung von Garantieansprüchen bei NAPOLEON sind der Kaufvertrag oder eine Kopie dessen sowie die Serien- und Modellnummer erforderlich.

NAPOLEON ist das Recht vorbehalten, durch einen damit beauftragten Vertreter jedes Produkt oder Teil prüfen zu lassen, bevor einem Garantieanspruch stattgegeben wird. Sie müssen sich an den NAPOLEON Kundendienst oder einen autorisierten NAPOLEON Händler wenden, um von der angebotenen Garantie profitieren zu können.



[www.napoleon.com](http://www.napoleon.com)



**ACHTUNG!** Nichtbefolgung dieser Anweisungen kann zu Bränden mit schweren Verletzungen oder zum Tod führen. Lesen Sie die Sicherheitshinweise sorgfältig und leisten Sie diesen Folge bevor Sie den Grill in Betrieb nehmen.

## Vorsichtsmassnahmen

- Bei der Montage dieses Gasgrills müssen die Anweisungen im Handbuch genau befolgt werden. Falls der Grill vollständig montiert aufbewahrt wurde, müssen die Montageanweisungen erneut überprüft und die erforderlichen Prüfungen auf Gaslecks durchgeführt werden, bevor der Grill in Betrieb genommen wird.
- Vor dem ersten Gebrauch des Gasgrills die gesamte Anleitung lesen.
- Diesen Gasgrill nur im Freien an einer gut belüfteten Stelle lagern. Niemals in einem Gebäude, einer Garage oder einem geschlossenen Bereich/Raum benutzen.
- Dieser Gasgrill ist nicht zum Einbau in Wohnwagen/Wohnmobilen und/oder Booten vorgesehen.
- Gerät nur an einem windgeschützten Ort aufstellen. Die Kochleistung des Gasgrills wird durch starke Windeinwirkung beeinträchtigt.
- Auf keinen Fall darf dieser Gasgrill modifiziert werden.
- Gerät niemals unter einer brennbaren baulichen Struktur betreiben.
- Ausreichenden Abstand zu brennbaren Materialien einhalten 27" (686 mm) zur Geräterückseite, 24" (610 mm) zu den Seitenteilen. Zusätzlicher Abstand ist empfehlenswert, wenn das Gerät in der Nähe von Vinyl-Verkleidungen oder großen Fensterscheiben aufgestellt wird.
- Stellen Sie sicher, dass die Lüftungslöcher des Zylinders stets frei von Schmutz und Ablagerungen sind.
- Wenn der Gasgrill nicht benutzt wird, muss die Gaszufuhr an der Gasflasche oder die Erdgaszuleitung abgesperrt werden.
- Kinder und Haustiere vom heißen Grill fernhalten, Kinder NICHT in den Unterschrank klettern lassen.
- Kinder vom Grill fernhalten oder beaufsichtigen - dieses Gerät ist kein Spielzeug!
- Dieses Gerät ist für den Gebrauch durch Personen (einschließlich Kindern) mit eingeschränkten physischen, sensorischen oder psychischen Fähigkeiten bzw. ohne jegliche Erfahrung oder Vorwissen nur dann geeignet, wenn eine angemessene Aufsicht oder ausführliche Anleitung zur Benutzung des Geräts durch eine verantwortliche Person sichergestellt ist.
- Falls ein Propangaszylinder im Schrank aufbewahrt werden soll, muss der Gasflaschenschrank gemäß lokalen Vorschriften belüftet sein und es darf keine Verbindung mit der Montageöffnung für den Gasgrill bestehen. Propangasflaschen dürfen nicht unterhalb des Gasgrills gelagert werden.
- Wenn die Gasflasche an das Gerät angeschlossen ist, dürfen Gasgrill und Gasflasche nur an einem gut belüfteten Ort im Freien aufgestellt werden. Falls der Gasgrill im Innenbereich gelagert wird, muss die Propangasflasche vom Grill entfernt und im Freien an einer gut belüfteten Stelle aufbewahrt werden. Propangasflaschen dürfen nicht in Gebäuden, Garagen oder anderen geschlossenen Räumen gelagert werden.
- Vor jeder Benutzung muss der Gasschlauch untersucht werden. Wenn der Schlauch stark abgerieben oder eingeschnitten ist, muss er vor Benutzung des Gasgrills mit einem vom Hersteller empfohlenen Schlauch ersetzt werden.
- Vor der ersten Inbetriebnahme alle Anschlüsse auf Gaslecks prüfen, auch wenn der Grill vollständig montiert geliefert wurde. Führen Sie diesen Test jährlich oder nach dem Austausch einer Gaskomponente aus.
- Grill stets genau nach Anleitung zünden.
- Vor Öffnen der Gaszufuhr kontrollieren, dass die Brenner-Bedienelemente auf der Position „OFF“ (Aus) stehen.
- Grillhaube während der Vorwärmzeit geschlossen halten.
- Den Grill niemals unbeaufsichtigt lassen, wenn er in Betrieb ist.
- Brenner Niemals bei geschlossener Grillhaube zünden.
- Rückseitigen Brenner nicht verwenden, wenn der Hauptbrenner in Betrieb ist.
- Den Grill nicht bewegen, solange er heiß oder in Betrieb ist.
- Gasleitung von allen Oberflächen fernhalten, die heiß werden können.
- Elektrische Kabel von Wasser oder heißen Oberflächen fernhalten.
- Korrekte Position der Glühplatten kontrollieren. Folgen Sie hierzu den Installationsanweisungen für die Glühplatten.
- Fett-Auffangbehälter und Glühplatten regelmäßig reinigen, um Fettansammlungen zu vermeiden, die zu Fettbränden führen können.
- Verwijder warmhoudrek voor verlichting achter brander. De extreme hitte schade zal toebrengen aan de opwarming rek.
- Venturirohrdüsen der Infrarotbrenner periodisch auf Spinnweben und Verstopfungen durch andere Objekte überprüfen. Die Rohrdüsen vollständig reinigen, um alle Verstopfungen zu entfernen.
- Auf heiße Keramikbrenner darf kein kaltes Wasser kommen (Regen, Sprinkler, Wasserschlauch usw.). Durch den großen Temperaturunterschied können die Keramikfliesen reißen.
- Gerät nicht mit einem Hochdruckreiniger säubern.
- Der Außen-Gasgrill und das entsprechende Sperrventil müssen von Gaszufuhrsystem getrennt werden, wenn das Gassystem aus Gasdrücke von über 0,5 psi (3,5 kPa) geprüft wird.
- Der Gasgrill für den Gebrauch im Freien und das entsprechende Sperrventil müssen vom Gaszufuhr und den Verbindungsrohren getrennt werden, wenn das Gassystem aus Gasdrücke von über 0,5 psi (3,5 kPa) geprüft wird.



## Entsorgung von Altgeräten aus privaten Haushalten in der EU

Dieses Symbol auf dem Produkt oder dessen Verpackung gibt an, dass das Produkt innerhalb der EU nicht zusammen mit dem Restmüll entsorgt werden darf. Die separate Sammlung und das Recyceln Ihrer alten Elektrogeräte zum Zeitpunkt ihrer Entsorgung trägt zum Schutz der Umwelt bei und gewährleistet, dass sie auf eine Art und Weise recycelt werden, die keine Gefährdung für die Gesundheit des Menschen und der Umwelt darstellt. Es obliegt daher Ihrer Verantwortung, das Gerät an einer entsprechenden Rücknahmestelle für die Entsorgung oder Wiederverwertung von Elektro- oder Elektronik-Altgeräten aller Art abzugeben oder wenden Sie sich an den Händler, von dem das Produkt erworben wurde. Gemäß den lokalen Bestimmungen gewährleisten diese Stellen, dass das Gerät auf eine Art und Weise recycelt wird, die keine Gefährdung für die Umwelt darstellt.

## Gasflaschen

Es dürfen nur Gasflaschen benutzt werden, die die einschlägigen gesetzlichen Bestimmungen erfüllen. Für einen optimalen Betrieb sollte Propangas verwendet werden. Die Mindestflaschengröße bei Butan ist 13 kg, bei Propan 6 kg. Die Flasche muss eine für den Betrieb ausreichende Gasmenge liefern können. Im Zweifelsfall wird der Gaslieferant mit Informationen helfen.

- Das Ventil der Gasflasche ist vorsichtig zu behandeln.
- Eine Flasche, die die gesetzlichen Bestimmungen nicht erfüllt, darf nicht angeschlossen werden.

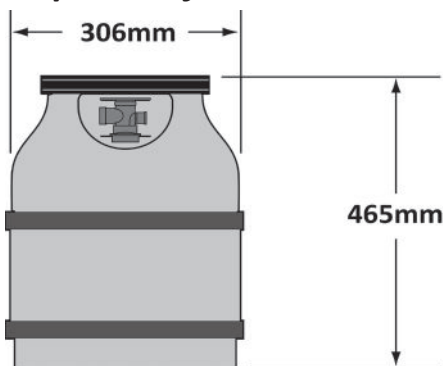
Nur an das Gerät angeschlossene Gasflaschen im Schrank oder in der Nähe des Geräts aufbewahren.

Schrankkonstruktionen müssen den Vorgaben im Abschnitt „EINBAUSCHRÄNKE FÜR GASFLASCHEN“ entsprechen. Nur angeschlossene Gasflaschen dürfen in der Einfassung oder nahe am Gerät stehen.

Reserveflaschen dürfen nicht in der Nähe eines betriebenen Geräts gelagert werden. Gasflaschen dürfen weder großer Hitze noch dem direkten Sonnenlicht ausgesetzt werden.

**FLASCHENANSCHLUSS:** Es ist sicherzustellen, dass der Gasreglerschlauch knickfrei ist. Kappe oder Stöpsel vom Flaschenventil entfernen. Regler an das Flaschenventil anschließen. Vor der Benutzung des Grills alle Verbindungen auf Leckagen überprüfen. Ein Leckagetest muss jährlich, nach jedem Anschließen einer Flasche und nach Auswechseln eines Gasbauteils durchgeführt werden.

### Beispiel Gasflasche



## Gasschlauch



**WARNUNG!** Der Gasgrill muss von einem lizenzierten Gasinstallateur installiert werden. Keine Schlauchverbindungen zum Anschluss des Gasgrill an die Gaszufuhr verwenden, außer um den Druckregler der Gasflasche an das Rohrsystem anzuschließen. Die erhöhte Temperatur im Schrank kann zum Schmelzen des Schlauchs führen. Den Gasgrill mit der mitgelieferten flexiblen Metallverbindung an die zulässigen steifen Rohrverbindungen, zulässigen Kupferrohre oder zulässigen Flex-Metallverbindungen anschließen. Sicherstellen, dass die Installation allen regional und überregional geltenden Installationsvorschriften entspricht. Vor Inbetriebnahme des Gasgrills die gesamte Gasinstallation auf Gaslecks prüfen. Vollständige Anweisungen zur Montage des Grills entnehmen Sie bitte der Bedienungsanleitung.

- Gehören Schlauch und Regler nicht zum Lieferumfang, dürfen nur solche Schläuche und Regler verwendet werden, die die einschlägigen gesetzlichen Bestimmungen erfüllen.
- Der Schlauch darf nicht mit Fett oder sonstigen heißen Flüssigkeiten oder Bauteilen des Geräts in Berührung kommen.
- Schlauch regelmäßig überprüfen. Ein Schlauch, der Risse oder Schmelzstellen aufweist oder abgenutzt ist, muss vor der nächsten Benutzung des Geräts ersetzt werden.
- Es wird eine Schlauchlänge von 0,9 m empfohlen. Der Schlauch darf nicht länger als 1,5 m sein.
- Beim Anschließen ist darauf zu achten, dass der Schlauch knickfrei und nicht verdreht ist.

# Regler

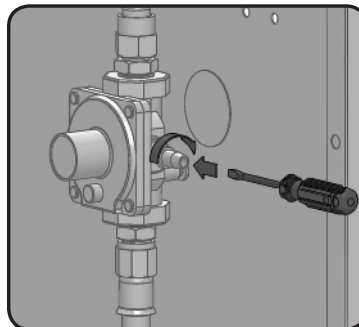
In der folgenden Tabelle sind die Anschlusswerte des Geräts aufgeführt.

Brenner	Düsengröße	(Grob)Leistung (Insgesamt)	Gasverbrauch(Insgesamt)
	I		
Haupt	58 (1.07mm)	19.2 kW	1396 g/hr
Hinten	58 (1.07mm)	5.3 kW	385 g/hr

Zugelassene Gase / Druck - Die Werte Ihres Geräts stehen auf dem Typenschild.

Gaskategorie	I <sub>3B/P(30)</sub>	I <sub>3+(28-30/37)</sub>	I <sub>3B/P(50)</sub>
Düsengröße (siehe oben)	I	I	II
Gasdruck	Butan: 30 mbar Propane: 30mbar	Butane 28-30mbar Propane 37mbar	Butane 50mbar Propane 50mbar
Länder	BE, BG, CY, DK, EE, FI, FR, GB, HR, HU, IS, IT, LT, LU, MT, NL, NO, RO, SE, SI, SK, TR	BE, CH, CY, CZ, ES, FR, GB, GR, IE, IT, LT, LU, LV, PT, SK, SI	AT, CH, DE, SK

Nehmen Sie keinerlei Änderungen am Druckregler vor. Nur Druckregler verwenden, die den in der untenstehenden Tabelle angegebenen Druck bereitstellen. Für Butangas einen 28-30 mbar-Druckregler verwenden, für Propangas einen 37 mbar-Druckregler. Grills, die für den Betrieb mit einem Druck von 50 mbar ausgelegt sind, verfügen über einen integrierten Druckregler. Dieser integrierte Druckregler hat einen Auslassdruck von 30 mbar und darf weder verändert noch angepasst werden. Bei Austausch oder Ersatz nur den vom Hersteller angegebenen Druckregler verwenden. Maxitrol- Modellnummer RV47LSMF.



Diese Einheit ist mit einem internen Druckregler ausgestattet, der den Gasdruck stabilisiert und die Grillleistung verbessert. Dieser Druckregler ist nicht anpassbar. An der Seite des Druckreglers befindet sich ein Druckhahn. Dieser kann von einem entsprechend ausgebildeten Kundendiensttechniker dazu verwendet werden, die Funktion des Druckreglers zu überprüfen. Die Schraube mit dem Druckhahn muss stets fest angezogen sein, außer bei der Durchführung eines Drucktests am Druckregler (nur durch entsprechend geschulten Servicetechniker).

## Anweisungen für den Gasanschluss



**WARNUNG!** Dieses Grillgerät ist ausschließlich mit nicht brennbaren Schrankkonstruktionen zu verwenden und die Installation und Wartung darf nur von einem zugelassenen Installateur unter Einhaltung der geltenden lokalen Vorschriften durchgeführt werden.

**WARNUNG!** Für die Schrankrahmen, Schränke und Arbeitsflächen ausschließlich nicht brennbare Materialien verwenden.

**WARNUNG!** Der Gasdruck am Grillgerät muss dem am Gerät befindlichen Leistungsschild entsprechen. Falls der Gasdruck an der Gaszufuhr größer ist, als angegeben, muss ein Druckregler installiert werden.

**PROPANGASANSCHLUSS FÜR EINBAUGERÄT:** Der Installateur ist für die Rohrverbindung bis zum Gasgrill verantwortlich und die Rohrverbindungen müssen gemäß der Installationsanweisungen und -abbildungen für die Einbauversion ausgeführt werden. Eine flexible Metallverbindung zur einfachen Installation des Geräts liegt bei. Die flexible Metallverbindung an der Überwurfmutter am Verteilerende anschließen. Das andere Ende der Metallverbindung am Gasrohr anschließen. Sicherstellen, dass das Verbindungsstück nicht durch Wand, Boden, Decke oder Trennwände verlegt wird und vor Beschädigung geschützt ist. Keine Schlauchverbindungen zum Anschluss des Geräts verwenden, außer um den Druckregler der Gasflasche an das Rohrsystem anzuschließen. Der Anschluss muss mit steifen Rohrverbindungen, Kupferrohr oder einer zulässigen Flex-Metallverbindung erfolgen, die regionalen und überregionalen Installationsvorschriften entsprechen.

Sicherstellen, dass die Installation allen regional und überregional geltenden Installationsvorschriften entspricht. Basierend auf der Länge der Rohrleitung muss die Gaszufuhrleitung ausreichend dimensioniert sein, um die auf dem Leistungsschild vorgegebene Leistungsaufnahme (kW) zu erfüllen. Bei Anschluss eines Seitenbrenners eine getrennte Leitung zur Seitenbrennereinheit abzweigen und am angegebenen Ort in die Öffnung für den Seitenbrenner einführen. Falls ein Propangaszylinder im Schrank aufbewahrt werden soll, muss der Gasflaschenschrank gemäß lokalen Vorschriften belüftet sein und es darf keine Verbindung mit der Montageöffnung oder dem Schrank für den Gasgrill bestehen. Propangasflaschen dürfen nicht unterhalb des Gasgrills gelagert werden.

**EINBAUSCHRÄNKE FÜR GASFLASCHEN:** Einbauschränke für Gasflaschen, die die Gasflasche vollständig einschließen, müssen die folgenden beiden Bedingungen erfüllen:

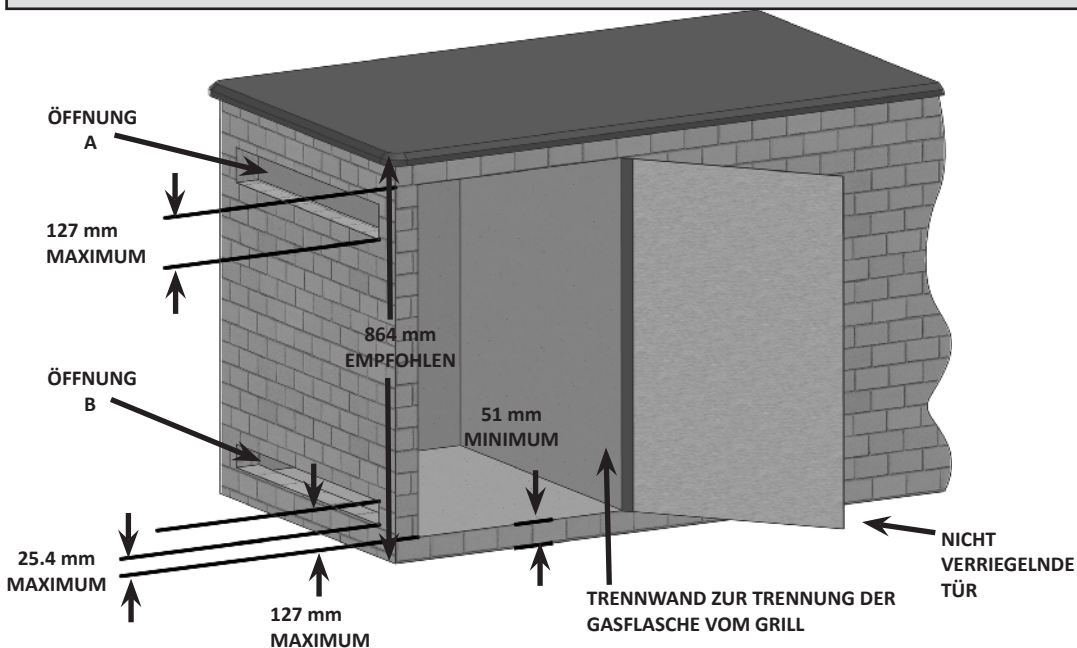
1. Mindestens ein unverbautes Lüftungsloch an der freien Schrankaußenseite, das sich innerhalb 127 mm von der Schrankoberseite befinden muss. Die Öffnung muss eine freie Fläche von über 130 cm<sup>2</sup> für Gasflaschen bis zu 9 kg und 195 cm<sup>2</sup> für Gasflaschen größer als 9 kg aufweisen.
2. Mindestens ein unverbautes Lüftungsloch an der freien Schrankaußenseite, das sich innerhalb 25,4 mm vom Bodenniveau befinden muss. Die Öffnung muss eine freie Fläche von über 65 cm<sup>2</sup> für Gasflaschen bis zu 9 kg und 100 cm<sup>2</sup> für Gasflaschen größer als 9 kg aufweisen. Die Oberkante darf sich nicht weiter als 127 mm über Bodenniveau befinden.

Jede Öffnung muss groß genug sein, um eine 3,2 mm dicke Stange einzuführen.



**WARNUNG!**

- Das Gasflaschenventil muss für Handbedienung problemlos zugänglich sein. Eine Schranktür kann installiert werden, um problemlosen Zugang zum Gasflaschenventil zu ermöglichen, es muss jedoch sichergestellt sein, dass die Tür nicht verriegelbar und ohne Werkzeuge zu öffnen ist.
- Der Gasflaschenschrank muss die Gasflasche effektive vom Brennerabteil trennen und Schutz bieten vor Strahlung, Flammen und Fremdstoffen, beispielsweise heißen Bratensäften. Der Schrank darf sich nicht direkt unter dem Grill befinden.
- Zwischen dem Boden des Propangasflaschenschanks und Bodenniveau muss ein Mindestabstand von 51 mm eingehalten werden.
- Die Schrankkonstruktion muss sicherstellen, dass die Propangasflasche an- und abgenommen werden kann und dass die Verbindungen außerhalb des Schanks inspiziert und getestet werden können. Alle Verbindungen, die bei der Gasflascheninstallation im Schrank beeinträchtigt werden könnten, müssen an der Schrankinnenseite für Testzwecke zugänglich sein.



GASFLASCHENGRÖSSE	ÖFFNUNG A FLÄCHE	ÖFFNUNG B FLÄCHE
BIS ZU 9 KG	130 cm <sup>2</sup>	65 cm <sup>2</sup>
GRÖßER ALS 9 KG	195 cm <sup>2</sup>	100 cm <sup>2</sup>



**WARNUNG!** Einbaugeräte werden mit einem Fett-Auffangbehälter geliefert, der nur eine minimale Menge an Fett aufnehmen kann. Zur Vermeidung von Fettbränden muss der Fett-Auffangbehälter nach jeder Verwendung gereinigt werden.



**WARNUNG!** Zur Installation von Gasverbindungen muss problemloser Zugang zum Schrank gewährleistet sein.



**WARNUNG!** Lesen Sie diese Anleitung sorgfältig durch, bevor Sie den Grill in Betrieb nehmen. Nichtbefolgung dieser Anweisungen kann zu Bränden mit schweren Verletzungen oder Tod führen. Vor Inbetriebnahme des Grills die gesamte Installation auf Gaslecks prüfen.

DE

## Anleitung Für Die Leckageprüfung



**WARNUNG!** Ein Leckagetest muss vor der ersten Benutzung, jährlich und nach Auswechseln oder Warten eines Gasbauteils durchgeführt werden.



**WARNUNG!** Während der Prüfung ist Rauchen verboten. Alle Zündquellen sind zu entfernen.



**Leckageprüfung:** Ein Leckagetest muss vor der ersten Benutzung, jährlich und nach Auswechseln oder Warten eines Gasbauteils durchgeführt werden. Während der Prüfung ist Rauchen verboten. Alle Zündquellen sind zu entfernen. Die zu prüfenden Stellen sind auf der *Leckageprüfzeichnung* aufgeführt.

Alle Brenner abstellen. Flaschenventil aufdrehen.



Seifenwasser (halb Wasser, halb Flüssigseife) auf alle Anschlüsse und Verbindungen an Regler, Schlauch, Verteiler und Ventile auftragen.

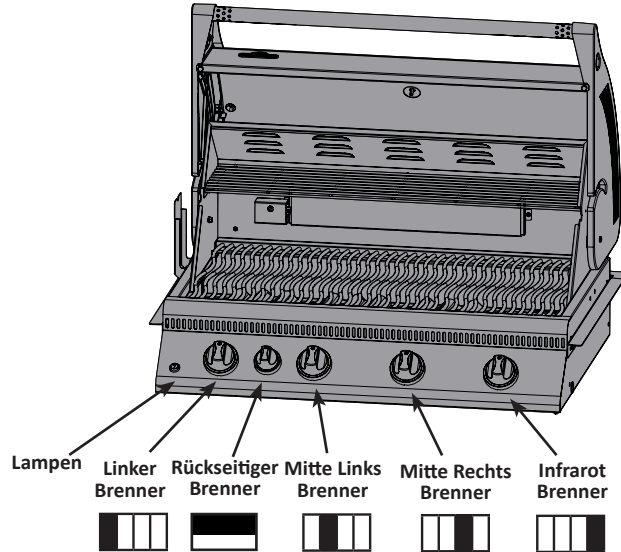
Leckagen werden durch Blasenbildung angezeigt. Leckage durch Festdrehen des Anschlusses oder Austausch des Teils durch ein vom Händler empfohlenes Teil beseitigen.



Bleibt die Leckage bestehen, Flaschenventil zudrehen, Regler abnehmen und Grill vom Gaslieferanten oder Händler untersuchen lassen. Das Gerät darf erst wieder benutzt werden, wenn die Leckage behoben ist.

Gaszufuhr abstellen.

# Zündanleitung



**ACHTUNG!** Haube öffnen.

**Ausschaltstellung**



**ACHTUNG!** Stellen Sie sicher, dass alle Brenner- Bedienelemente auf „OFF“ (Aus) gestellt sind, und öffnen Sie das Gasventil an der Gasquelle.

Anzünden des Hauptbrenners	Anzünden des rückseitigen Brenners (Rotisseriebrenner) (Falls vorhanden)	Anzünden der Seitenbrenner (Falls vorhanden)
1. Haube öffnen.	1. Haube öffnen.	1. Haube des Seitenbrenners öffnen.
2. Beliebige Hauptbrenner-Bedienelement drücken und langsam auf Stufe „HI“ (Hohe Flamme) drehen. Hierdurch wird die Pilotflamme gezündet, welche wiederum den ausgewählten Brenner entzündet. Nach Zünden der Pilot flamme das Bedienelement weiterhin gedrückt halten, bis der Brenner entzündet ist. Lassen Sie das Bedienelement los, wenn das Gas brennt.	2. Warmhalterost abnehmen.	2. Seitenbrenner-Bedienelement drücken und langsam auf Stufe „HI“ (Hohe Flamme) drehen.
3. Wenn der Pilot nicht zündet, das Bedienelement SOFORT wieder auf „OFF“ (Aus) stellen und Schritt 2 mehrmals wiederholen.	3. Rotisseriebrenner-Bedienelement drücken und langsam auf Stufe „HI“ (Hohe Flamme) drehen. Hierdurch wird die Pilotflamme gezündet, welche wiederum den Brenner entzündet. Nach Zünden der Pilotflamme das Bedienelement weiterhin gedrückt halten, bis der Brenner entzündet ist. Lassen Sie das Bedienelement los, wenn das Gas brennt.	3. Zündknopf drücken und gedrückt halten, bis Brenner zündet; oder mit Streichholz anzünden
4. Falls Pilot und Brenner nicht innerhalb von 5 SEKUNDEN zünden, das Bedienelement auf „OFF“ stellen und 5 Minuten warten, damit sich unverbranntes Gas verflüchtigen kann. Danach die Schritte 2 und 3 wiederholen oder den Brenner mit einem Streichholz entzünden.	4. Wenn der Brenner nicht zündet, das Bedienelement SOFORT wieder auf „OFF“ (Aus) stellen und Schritt 3 mehrmals wiederholen.	4. Falls der Brenner nicht innerhalb von 5 SEKUNDEN zündet, das Bedienelement auf „OFF“ stellen und 5 Minuten warten, damit sich unverbranntes Gas verflüchtigen kann. Danach die Schritte 2 und 3 wiederholen oder den Brenner mit einem Streichholz entzünden.
5. Falls der Grill mit einem Streichholz angezündet wird, klemmen Sie das Streichholz in den mitgelieferten Streichholzhalter ein. Das brennende Streichholz nach unten halten, durch den Grill und die Glühplatte führen und dabei das entsprechende Brennerventil auf hohe Flamme drehen.	5. Falls der Brenner nicht innerhalb von 5 SEKUNDEN zündet, das Bedienelement auf „OFF“ stellen und 5 Minuten warten, damit sich unverbranntes Gas verflüchtigen kann. Danach die Schritte 3 und 4 wiederholen oder den Brenner mit einem Streichholz entzünden.	



**ACHTUNG!** Der hintere Brenner darf nicht zusammen mit dem Hauptbrenner benutzt werden.



# Betrieb Des Grillgeräts

Beim allerersten Erhitzen gibt der Gasgrill einen leichten Geruch ab. Der Geruch wird durch das „Einbrennen“ der Innenlacke und Verdunsten der Schmiermittel aus der Fertigung verursacht, ist ganz normal und tritt später nicht mehr auf. Vor der ersten Benutzung sollten Sie darum die Hauptbrenner etwa eine halbe Stunde mit größter Hitze brennen lassen. Vor dem Grillen von magerem Fleisch wie Hähnchenbrust oder mageres Schweinefleisch ist es am besten, die Roste vor dem Vorwärmen zu ölen, damit das Fleisch nicht anklebt. Beim Grillen von sehr fettem Fleisch kann es zum Aufflammen kommen. Um Aufflammen zu verhindern, können Sie Fett abschneiden oder mit niedrigerer Temperatur grillen. Wenn es zum Aufflammen kommt, legen Sie das Fleisch von der Flamme weg zur Seite und stellen die Temperatur herunter. Lassen Sie die Haube offen. Eine detaillierte Anleitung finden Sie in Napoleons Grill-Kochbuch.

**Grillen Mit Den Hauptbrennern:** Vor dem Anbraten von Grillgut wird 10 Minuten Vorwärmen empfohlen. Dafür werden alle Hauptbrenner auf die höchste Stufe gestellt und die Haube geschlossen. Kurz zu grillende Nahrungsmittel wie Fisch und Gemüse können bei offener Haube gegrillt werden. Beim Grillen bei geschlossener Haube ist die Temperatur gleichmäßiger und höher, sodass die Grillzeit kürzer ist und das Fleisch gleichmäßiger gegrillt wird. Benötigt ein Grillgut länger als 30 Minuten, wie z. B. ein Braten, so kann es indirekt gekocht werden (Braten neben den gezündeten Brenner stellen). Vor dem Grillen von magerem Fleisch wie Hähnchenbrust oder mageres Schweinefleisch ist es am besten, die Roste vor dem Vorwärmen zu ölen, damit das Fleisch nicht anklebt. Beim Grillen von sehr fettem Fleisch kann es zum Aufflammen kommen. Um Aufflammen zu verhindern, können Sie Fett abschneiden oder mit niedrigerer Temperatur grillen. Wenn es zum Aufflammen kommt, legen Sie das Fleisch von der Flamme weg zur Seite und stellen die Temperatur herunter. Lassen Sie die Haube offen. Eine detaillierte Anleitung finden Sie in Napoleons Grill-Kochbuch.

**Grillen Mit Den Infrarot-Hauptbrennern in der Hauptgarkammer (wo vorhanden):** Infrarotbrenner gemäß der Zündanleitung zünden und 5 Minuten oder bis die Keramikbrenner rot glühen bei geschlossener Haube auf höchster Stufe brennen lassen. Grillgut auf den Grill legen und solange braten, wie es in der Infrarot-Grilltabelle aufgeführt ist.

Je nach Geschmack können Sie entweder auf dem Infrarotbrenner auf höchster, mittlerer oder niedriger Stufe weitergrillen und das Grillgut öfter wenden, oder Sie legen es neben den Infrarotbrenner, schließen die Haube und lassen es wie im Bratofen fertig garen.



**VORSICHT!** Wegen der großen Hitze der Infrarotbrenner brennt das Grillgut schnell an! Darum sollte die Haube offen sein, wenn mit den Infrarotbrennern in höchster Stufe gegrillt wird. Durch die große Hitze ist auch bei offener Haube eine ausreichende Anbrattemperatur gewährleistet. Außerdem kann man das Grillen besser überwachen und ein Anbrennen verhindern.

**Direktes Garen:** Grillgut direkt über der Wärmequelle auf den Grill legen. Diese Methode wird üblicherweise zum Braten von Speisen verwendet, die keine langen Kochzeiten erfordern - Hamburger, Steaks, Geflügelstücke, Gemüse usw. Das Grillgut wird zunächst scharf angebraten, um Säfte und Aromen im Grillgut „einzusiegeln“. Anschließend wird die Temperatur verringert, um das Gericht punktgenau fertig zu garen.

**Indirektes Garen:** Hierbei kann nur einer oder auch mehrere Brenner verwendet werden. Grillgut über einem nicht gezündeten Brenner auf den Grill legen. Die Wärme zirkuliert um das Grillgut und sorgt so für langsames und gleichmäßiges Garen. Diese Kochmethode ist vergleichbar mit dem Garen im Backofen und wird üblicherweise für größere Fleischstücke wie Braten, ganze Hähnchen oder Pute verwendet. Sie eignet sich aber auch für die Zubereitung von Grillgut, das leicht zum Aufflammen führen kann. Aufgrund der niedrigeren Temperaturen und längeren Kochzeiten ist dies die zuverlässigste Garmethode zum Grillen zarter und saftiger Fleischstücke.

**Verwendung Des Rückseitigen Brenners:** (Falls vorhanden) Warmhalterost vor dem Betrieb entfernen, die extreme Hitze schadet dem Warmhalterost. Grillroste sollten ebenfalls entfernt werden, falls sie die Verwendung des rehspeißes behindern. Der rückseitige Brenner ist für den Einsatz mit dem Drehspieß-Set konzipiert, dass über Ihren Napoleon-Händler bezogen werden kann. Siehe Anweisungen für die Montage des Drehspieß-Sets. Zur Verwendung des Gegengewichts den Drehspießmotor vom Gasgrill entfernen. Den Spieß mit dem Grillgut in die beiden Einhängevorrichtungen an der Innenseite des Grills einlegen. Das Fleischstück wird naturgemäß mit der schwereren Seite nach unten hängen. Arm und Gewicht des Gegengewichts anziehen, bis der Arm nach oben zeigt. Das Gegengewicht nach innen oder außen verschieben, bis das Gewicht auf dem Spieß gleichmäßig verteilt ist und dann festdrehen. Den Motor wieder aufsetzen und mit dem Grillen beginnen. Einen Auffangbehälter unter dem Grillgut platzieren.



Der aufgefangene Bratensaft kann zum Bepinseln des Fleisches oder zur Herstellung einer köstlichen Soße verwendet werden. Falls nötig, zusätzliche Flüssigkeit zum Übergießen oder Bepinseln zufügen. Rückseitigen Brenner zunächst auf hoher Flamme betreiben, bis das Fleisch angebräunt ist und dann die Flamme reduzieren, um das Fleisch fertig zu garen. Auf diese Art wird das Grillgut versiegelt und das Fleisch bleibt zart und saftig. Die Grillhaube stets geschlossen halten, um ein optimales Kochergebnis zu erzielen. Braten und Geflügel erhalten eine knusprigbraune Kruste und das Fleisch bleibt zart und saftig. Beispielsweise benötigt ein Brathuhn mit einem Gewicht von 1,5 kg mit dem Drehspieß ca. 1½ Stunden (bei mittlerer bis hoher Flamme). Weitere Anweisungen finden Sie im Napoleon-Grillkochbuch mit exklusiven Rezepten für alle Gelegenheiten.

**ACHTUNG!** Barbecuesoße und Salz kann korrosiv wirken und schnell zur Korrosion des Grills und einzelner Bauteile führen, wenn keine regelmäßige Reinigung durchgeführt wird.

## Infrarotwärme

Die meisten Menschen wissen nicht, dass unsere natürliche Wärmequelle, die Sonne, die Erde hauptsächlich mit Infrarotenergie wärmt. Infrarotenergie ist eine Form der elektromagnetischen Energie mit einer etwas größeren Wellenlänge als die Farbe Rot des Lichtspektrums, aber einer etwas geringeren als die der Radiowellen. Diese Energie wurde 1800 von Sir William Herschel entdeckt, der das Sonnenlicht mit Hilfe eines Prismas in seine Bestandteile zerlegte. Er wies nach, dass die meiste Wärme des Sonnenlichts im Bereich neben dem roten Ende des Spektrums, wo das Licht nicht mehr sichtbar ist, zu finden ist. Dies ist der Bereich der Infrarotenergie. Die meisten Materialien absorbieren Infrarotstrahlung in einem breiten Wellenlängenbereich und werden dadurch erwärmt. Ebenso fühlen wir Wärme auf der Haut, wenn wir uns dem Sonnenlicht aussetzen. Die Infrarotstrahlung der Sonne wandert durch das Vakuum des Weltraums und die Atmosphäre und dringt in unsere Haut ein. Die Bewegung der Moleküle der Haut wird verstärkt, was zu stärkerer interner Reibung führt und Wärme erzeugt, die wir fühlen können.

Nahrungsmittel können genauso mit Infrarotstrahlung erhitzt werden. Dabei ist Holzkohle die herkömmliche Art des Infrarotkochens, mit der wir alle vertraut sind. Die glühenden Kohlen geben Infrarotenergie an das Grillgut ab, wobei der Trocknungseffekt sehr gering ist. Bratensaft und Öle, die dem Grillgut entweichen, tropfen hinunter in die Holzkohle, sodass ein Rauch aufsteigt, der dem Grillgut den herrlichen Grillgeschmack verleiht. Die Infrarotbrenner der Napoleon-Grills funktionieren genauso. Jeder der Brenner hat 10.000 Löcher. Aus jedem Loch tritt eine Flamme aus, die die Keramikoberfläche zur Rotglut bringen. Die glühende Oberfläche strahlt Infrarotwärme auf das Grillgut ab, ohne dass man sich mit Holzkohle herumschlagen muss. Außerdem ist die Wärme gleichmäßig über die ganze Fläche verteilt und einfacher zu regeln als ein Holzkohlefeuer. Zum schnellen Anbraten können die Brenner ganz aufgedreht und zum langsamen Kochen heruntergestellt werden. Wie schwierig das bei einem Holzkohlefeuer ist, wissen wir alle. Normale Gasbrenner erhitzen das Grillgut auf andere Weise. Die Luft um den Brenner herum wird durch den Verbrennungsprozess erhitzt und steigt zum Grillgut auf, das dann gebraten wird. Die Grilltemperatur ist geringer, was für Meeresfrüchte und Gemüse ideal ist. Kurz gesagt: Napoleons Infrarotbrenner erzeugen eine Anbrathitze, die zu saftigeren, geschmackvolleren Steaks, Hamburgern und sonstigen Fleischgerichten führt. Grillzeiten und Grilltipps finden Sie in der Infrarot-Grilltabelle.

# Infrarot-Grilltabelle

Grillgut	Brennerstufe	Grillzeit	Empfehlungen
Steak, 2,5 cm dick	2 Min. pro Seite auf höchster Stufe 2 Min. pro Seite auf höchster Stufe, dann mittlere Stufe 2 Min. pro Seite auf höchster Stufe, dann mittlere Stufe	Englisch: 4 Min. Medium: 6 Min. Durch: 8 Min.	Durchwachsenes Fleisch eignet sich am besten zum Grillen. Das Fett macht das Fleisch zart und saftig.
Hamburger, 1,27 cm dick	2 Min. pro Seite auf höchster Stufe 2,5 Min. pro Seite auf höchster Stufe 3 Min. pro Seite auf höchster Stufe	Englisch: 4 Min. Medium: 5 Min. Durch: 6 Min.	Wieweit der Hamburger durch sein soll, kann man auch durch seine Dicke bestimmen. Hickoryspäne im Räucherkasten des Napoleon-Grills gibt dem Fleisch einen exotischen Geschmack.
Hähnchenstü cke	2 Min. pro Seite auf höchster Stufe, dann mittlere bis unterste Stufe	20-25 Min.	Gelenk zwischen Ober- und Unterschenkel auf der hautlosen Seite $\frac{1}{4}$ durchschneiden, damit das Fleisch flach auf dem Grill liegt. So wird es schneller und gleichmäßiger gegrillt. Mesquitspäne im Räucherkasten des Napoleon-Grills verleiht dem Fleisch einen ganz besonderen Geschmack.
Schweinekotelett	Mittlere Stufe	6 Min. pro Seite	Vor dem Grillen überschüssiges Fett abschneiden. Dicke Koteletts werden zarter.
Spare Ribs	5 Min. auf höchster Stufe, dann niedrige Stufe zum Garen	20 Min. pro Seite, oft wenden	Magere, fleischige Spareribs sind die besten. Solange grillen, bis das Fleisch sich leicht von den Knochen lösen lässt.
Lammkotelett	5 Min. auf höchster Stufe, dann mittlere Stufe zum Garen	15 Min. pro Seite	Vor dem Grillen überschüssiges Fett abschneiden. Dicke Koteletts werden zarter.
Würstchen	Mittlere bis niedrigste Stufe	4-6 Min.	Dicke Würstchen sind am besten geeignet. Vor dem Grillen der Länge nach aufschlitzen.

DE



## Wartung, Pflege und Reinigung

Der Gasgrill sollte jährlich von einem zugelassenen Wartungsdienst überprüft und gewartet werden. Brennbare Materialien, Benzin und andere brennbare Dämpfe und Flüssigkeiten müssen entfernt vom Gasgrill gelagert werden. Luftwege zur Belüftung und zum Brenner nicht blockieren. Lüftungslöcher des Gasflaschenschanks (an den Grillwagenseiten und der Vorder- und Rückseite des unteren Regalbodens) stets frei von Schmutz und Ablagerungen halten.

**WARNUNG!** Beim reinigungsanleitung sollten Arbeitshandschuhe und eine Schutzbrille getragen werden.

**WARNUNG!** Zum Reinigen müssen die Brenner ausgeschaltet sein. Heiße Flächen nicht ungeschützt berühren. Grill an einen Ort stellen, wo das Reinigungsmittel keinen Schaden anrichten kann (nicht auf die Terrasse oder den Rasen). Kein Teil dieses Gasgrills darf mit Ofenreiniger gesäubert werden. Grillroste oder andere Teile des Gasgrills nicht in einem selbstreinigenden Ofen säubern. Gasgrill regelmäßig reinigen, da Barbecue-Sauce und Salz das Metall angreifen.

**Hinweis:** In chlorid- und sulfidhaltigen Umgebungen kann auch rostfreier Stahl oxidieren oder Flecken aufweisen. Dazu gehören insbesondere Küstenregionen und andere extreme Bedingungen, z. B. die nähere Umgebung von Pools und Whirlpools, die von hoher Wärme und Luftfeuchtigkeit gekennzeichnet ist. Diese Flecken werden manchmal mit Rost verwechselt, aber sie können einfach entfernt und vermieden werden. Reiben Sie alle rostfreien Stahlflächen alle 3 bis 4 Wochen mit Leitungswasser und einem Reinigungsmittel für rostfreien Stahl ab, um die Entstehung von Flecken zu verhindern.

**WARNUNG!** Beim reinigungsanleitung sollten Arbeitshandschuhe und eine Schutzbrille getragen werden.

**WARNUNG!** Gaszufuhr vor den Wartungsarbeiten abstellen und Gerät von der Gaszufuhr trennen. Grill vor dem Warten abkühlen lassen, damit es nicht zu Verbrennungen kommt. Jährlich und nach Auswechseln eines Gasbauteils eine Leckageprüfung durchführen.

**Roste Und Warmhaltefläche :** lassen sich am besten beim Vorwärmen des Grills mit einer weichen Messingdrahtbürste säubern. Für schwer zu entfernende Flecke Stahlwolle verwenden. Rostfreistahlroste erhalten bei normalem Betrieb des Grills wegen der hohen Temperatur eine permanente Verfärbung.

**Bedienleiste:** Die Bedienleistenbeschriftung wird direkt auf die Edelstahloberfläche gedruckt und bei sachgerechter Pflege bleibt der Aufdruck dunkel und lesbar. Zur Reinigung der Bedienleiste warme Seifenlauge. Keine scheuernden Reinigungsmittel zur Reinigung von Edelstahlfächen verwenden. Dies kann vor allem auf der Bedienleiste zum Abrieb der aufgedruckten Beschriftung führen.

**Das Innere Des Gasgrills:** Grillroste entfernen. Gusseiserne Seiten und die Innenseite der Haube mit einer weichen Messingdrahtbürste von losem Schmutz befreien. Anbratplatten mit einem Spachtel oder Schaber abkratzen, und die Asche mit einer Drahtbürste beseitigen. Anbratplatten abnehmen, und die Brenner mit einer Messingdrahtbürste reinigen. Den Schmutz aus dem Inneren des Gasgrills in die Tropfpfanne fegen. Anbratplatten wieder einsetzen und auf richtige Positionierung achten (siehe Zusammenbauanleitung).

**WARNUNG!** Fettansammlungen können zu Bränden führen.

**Tropfpfanne:** zum Reinigen herausziehen. Sie sollte nach vier- bis fünfmaligem Benutzen des Grills ausgeleert werden. Das Fett läuft durch die unter dem Gasgrill befindliche Tropfpfanne und sammelt sich in einer Einweg-Fettschale unterhalb der Tropfpfanne. Eine zu große Ansammlung von Fett stellt eine Feuergefahr dar. Tropfpfanne nicht mit Alufolie oder Sand auskleiden, da das Fett am Durchfließen gehindert wird. Pfanne mit einem Spachtel oder Schaber auskratzen; Inhalt in die Einweg-Fettschale fegen. Schale je nach Häufigkeit der Benutzung alle zwei bis vier Wochen auswechseln. Ersatzschalen gibt es beim Napoleon-Händler.

**Reinigen der Aussenseite des Gasgrills:** Lackierte, Porzellan- oder Rostfreistahlteile nicht mit Scheuermitteln säubern. Die Porzellanemalle ist besonders vorsichtig zu behandeln. Die Emaillebeschichtung ist wie Glas und platzt beim Anschlagen leicht ab. Außenflächen am besten in handwarmem Zustand mit warmem Seifenwasser reinigen. Rostfreistahl mit einem entsprechenden Reinigungsmittel oder einem nicht scheuernden Reinigungsmittel säubern. Stets in Strukturrichtung wischen. Keine Stahlwolle verwenden, da sie Kratzspuren hinterlässt. Rostfreistahl verfärbt sich unter Hitze goldfarben oder braun. Diese Verfärbung ist normal und beeinträchtigt die Leistung des Grills nicht.

**ACHTUNG!** Schlauch : auf Abrieb, Schmelzstellen, Einschnitte und Risse untersuchen. Wenn einer dieser Defekte vorliegt, darf der Gasgrill nicht benutzt werden. Schlauch von Ihrem Napoleon-Händler oder einem Fachbetrieb auswechseln lassen.

**Brenner:** sind aus dickwandigem Rostfreistahl 304 hergestellt. Wegen der extremen Hitze und der Umwelteinflüsse treten trotzdem Korrosionen auf. Korrosion der Oberflächen mit einer Messingdrahtbürste entfernen. Verstopfte Auslässe mit einer geöffneten Heftklammer freimachen. Auslässe dabei nicht vergrößern.

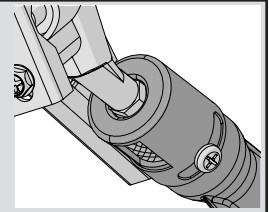


### **VORSICHT!** Passen Sie Von Den Spinnen Auf

Spinnen und Insekten werden von Propan- und Erdgasgeruch angezogen. Damit sie im Brenner keine Nester bauen, ist der Lufteinlass mit einem Insektengitter versperrt, womit das Problem jedoch nicht 100%ig gelöst ist. Ein Spinnennetz oder Nest verbrennt mit einer weichgelben oder orangefarbenen Flamme, oder es kommt zu einem Feuer (Flammenrückschlag) an der Luftzufuhr unter dem Bedienbrett. Damit das Innere eines Brenners gereinigt werden kann, muss er aus dem Gasgrill ausgebaut werden. Schraube in der Mitte des Brenners lösen. Brenner am hinteren Teil nach oben und herausheben. Innere des Brenners mit einer flexiblen Spezialbürste zum Reinigen von Venturirohren säubern. Den gelösten Schmutz durch den Gaseinlass aus dem Brenner schütteln. Das Insektengitter muss sauber, dicht und frei von Fusseln und sonstigem Schmutz sein. Auch die Ventildüsen müssen sauber sein. Es ist darauf zu achten, dass die Düsen beim Reinigen nicht vergrößert werden. Brenner wieder einbauen. Beim Einbau muss die Düse in den Brenner geführt werden. Brennerabdeckung aufsetzen und Befestigungsschrauben festschrauben.



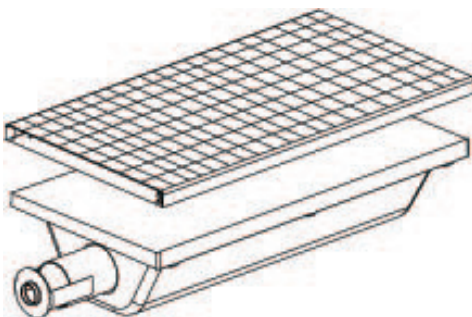
**WARNUNG!** Bei der erneuten Installation des gereinigten Brenners unbedingt sicherstellen, dass das Ventil/die Öffnung in das Brennerrohr führt, bevor der Gasgrill angezündet wird. Wenn das Ventil sich nicht innerhalb des Brennerrohrs befindet, kann es zu Brand oder Explosion kommen.



**Infrarotbrenner:** Wegen der großen Hitze des Infrarotbrenners verbrennt sofort fast alles, was vom Grillgut herunter auf die Brennerfläche fällt. Es bleiben jedoch möglicherweise Rückstände kleben. Rückstände am besten gleich nach dem Grillen verbrennen, indem der Grill 5-10 Minuten lang auf der höchsten Stufe.

**Schutz Der Infrarotbrenner:** Die Infrarotbrenner des Grills haben normalerweise eine lange Lebensdauer. Damit diese lange Lebensdauer gewährleistet ist, muss verhindert werden, dass die Keramikbeschichtung reißt. Im Folgenden wird beschrieben, wie Rissbildung zu verhindern ist. Schäden, die wegen Nichtbeachtung dieser Hinweise auftreten, sind nicht von der Garantie gedeckt.

1. Stöße mit harten Gegenständen – Die Keramik darf nicht mit harten Gegenständen angestoßen werden. Beim Abnehmen und Einsetzen der Grillroste ist Vorsicht geboten. Fällt solch ein Gegenstand auf die Keramik, würde diese wahrscheinlich reißen.
2. Wasser und sonstige Flüssigkeiten – Wenn viel kalte Flüssigkeit mit der heißen Keramikfläche in Berührung kommt, kann diese reißen. Darum darf kein Wasser auf den Grill geschüttet werden, um ein Aufflammen zu löschen. Wenn bei abgestelltem Grill die Keramik oder das Innere eines Brenners nass wird, kann die Keramik durch den Druck des Wasserdampfs reißen, wenn der Grill wieder benutzt wird. Wiederholtes Nässen der Keramik lässt diese aufquellen und expandieren. Dieses Expandieren setzt die Keramik unter Druck, sodass sie reißen und abbröckeln kann.
  - i) Kein Wasser auf den Grill werfen, um ein Aufflammen zu löschen.
  - ii) Grill nicht im Freien betreiben, wenn es regnet.
  - iii) Sollte einmal Wasser im Grill stehen (z. B. durch Regen oder Sprinkler), ist zu untersuchen, ob die Keramik sich mit Wasser vollgesogen hat. Ist die Keramik nass, Brenner aus dem Grill ausbauen. Umgekehrt hinlegen, damit das Wasser ablaufen kann. Im Hause gründlich trocknen lassen.
3. Schlechte Belüftung des Grills – Die heiße Luft muss aus dem Grill entweichen können, damit die Brenner richtig funktionieren. Bei schlechter Belüftung kommt es zu Sauerstoffmangel, was zu Flammenrückschlägen führt. Wenn dies wiederholt passiert, reißt die Keramik. Darum sollte niemals mehr als 75% der Grillfläche mit Vollmetall (d.h. von einem Grillblech oder einer großen Pfanne) abgedeckt sein.



**Ersatzteilen Gitter S81006**

# Fehlerbehebung

Problem	Mögliche Ursache	Lösung
Bei höchster Brennerstufe zu niedrige Hitze und Flamme.	Bei Propangas – die Anweisungen für das Anzünden wurden nicht befolgt.  Bei Erdgas – Leitung für die Gaszufuhr zu klein.  Bei beiden Gasarten – ungenügendes Vorheizen.	Die Anweisungen für das Anzünden genau befolgen. Alle Gasgrillventile müssen sich in der Stellung „OFF“ (Aus) befinden, wenn das Ventil für die Gaszufuhr geöffnet wird. Die Gaszufuhr langsam öffnen, um Druckausgleich zu ermöglichen. Siehe Anweisungen für das Anzünden.  Rohrgröße muss den Installationsvorschriften entsprechen.  Beide Hauptbrenner einschalten und Grill auf hoher Stufe 10-15 Minuten vorheizen.
Starkes Aufflammen, ungleichmäßige Hitze.	Anbratplatten falsch installiert.  Falsches Vorwärmen.  Zu viel Fett und Asche auf den Anbratplatten und in der Tropfpfanne.	Anbratplatten müssen mit den Löchern nach vorn und den Schlitzen nach unten installiert sein. Siehe Zusammenbauanleitung.  Grill mit beiden Hauptbrennern auf höchster Stufe 10-15 Minuten lang vorwärmen.  Anbratplatten und Tropfpfanne regelmäßig reinigen. Tropfpfanne nicht mit Alufolie auslegen. Siehe Reinigungsanleitung.
Brennerflamme gelblich, und es riecht nach Gas.	Spinnenweben oder anderweitige Verschmutzung.	Brenner herausnehmen und gründlich reinigen. Siehe allgemeine Wartungsanleitung.
Regler gibt ein brummendes Geräusch ab.	Ist an heißen Tagen normal.	Dies ist kein Defekt. Es wird durch Vibrationen im Regler erzeugt und beeinträchtigt die Leistung und Sicherheit des Grills nicht. Brummende Regler werden nicht ersetzt.
Flamme springt nicht auf andere Brenner über.	Löcher auf der Brennerrückseite verstopft.	Gasaustrittslöcher säubern. Siehe Wartungsanleitung, Abschnitt Brenner.
Auf der Innenseite des Deckels oder der Haube scheint die „Farbe“ abzublättern.	Auf der Innenseite hat sich Fett abgesetzt.	Dies ist kein Defekt. Die Innenseite des Deckels oder der Haube besteht aus einer Porzellanbeschichtung, die nicht abblättern kann. Was abblättert, ist hart getrocknetes Fett. Regelmäßiges Reinigen verhindert dies. Siehe Reinigungsanleitung.
Im Infrarotbrenner kommt es zu lammenrückschlägen (vom Brenner ertönt ein „Wusch“-Laut, gefolgt von einem länger anhaltenden eißbrennergeräusch).	Keramikfliesen sind mit Fett überladen, sodass die Gasauslässe verstopft sind.  Brenner wegen unzureichender Belüftung überhitzt (zu viel Grillfläche durch großes Kochgeschirr abgedeckt).  Keramikfliese gerissen.  Dichtung um die Keramikfliese undicht, oder Schweißung im Brennergehäuse defekt.	Brenner abstellen und mindestens zwei Minuten lang abkühlen lassen. Brenner erneut zünden und so lange auf höchster Stufe brennen lassen (etwa fünf Minuten), bis die Keramikfliesen gleichmäßig rot glühen  Es darf nur 75% der Grillfläche durch Gegenstände oder Zubehör abgedeckt sein. Brenner abstellen und mindestens zwei Minuten abkühlen lassen; dann wieder zünden.  Brenner abkühlen lassen und sorgfältig auf Risse untersuchen. Sind Risse vorhanden, neuen Brenner bei einem Napoleon-Vertragshändler bestellen.  Neuen Brenner bei einem Napoleon-Vertragshändler bestellen.

## RECHNUNG/KASSENBON ALS KAUFBELEG FÜR GARANTIEANFRAGEN AUFBEWAHREN

# ERSATZTEILBESTELLFORMULAR

## GARANTIEINFORMATIONEN

MODELL: \_\_\_\_\_

KAUFDATUM: \_\_\_\_\_

SERIENNUMMER: \_\_\_\_\_

### *(Speichern Sie diese Informationen hier als künftige Referenz)*

Für Ersatzteile und Garantieanfragen, kontaktieren Sie Ihren Napoleonhändler, bei dem das Produkt gekauft wurde.

Vor Sie Ihren Händler kontaktieren, lesen Sie bitte die Napoleon Grills Website, um mehr über Reinigung, Wartung, Troubleshooting und Ersatzteilmontage zu erfahren:

<https://www.napoleon.com/de/de/willkommen>

Um eine Reklamation einzureichen, sind folgende Unterlagen erforderlich:

1. Typenbezeichnung und Seriennummer des Geräts.
2. Artikelnummer und -Bezeichnung.
3. Bündige Problembeschreibung („defekt“ reicht nicht aus).
4. Kaufbeleg (Rechnungskopie, Kopie des Kassenbons).

Napoleon behält sich das Recht vor, als Voraussetzung für Ersatzteile, den Rückversand reklamierter Teile zu beantragen.

Bitte beachten Sie, vor Sie Ihren Händler kontaktieren, dass folgende Items keine Garantiegründe darstellen:

- Versand-, Zoll- oder sonstige Gebühren.
- Montagearbeit und -Kosten.
- Kommunikationskosten, um eine (Fern-)Diagnose zu stellen.
- Edelstahlverfärbungen.
- Schäden verursacht durch mangelnde Reinigung und Wartung, oder die Anwendung ungeeigneter Reinigungsmittel (Ofenreiniger oder abrasiver Chemikalien).



DE

**ACHTUNG!** Wir empfehlen beim Entpacken des Geräts und bei der Montage Arbeitshandschuhe und eine Schutzbrille zu tragen. Wir unternehmen alle Anstrengungen, den Montageprozess so problemlos und sicher wie möglich zu machen, doch bearbeitete Stahlteile haben üblicherweise scharfe Kanten und Ecken, die zu Schnittverletzungen führen können, wenn sie während der Montage unsachgemäß gehandhabt werden.

**ACHTUNG!** Schmutz vom Bau oder Material vom Gemäuer können auf den Oberflächen der Einbaumodule Schäden verursachen. Wir empfehlen die Komponenten der Outdoorküchen erst nach Fertigstellung eines Baus und nach Reinigung des vorgesehenen Montageortes aufzustellen. Falls die Komponenten vorab eingebaut werden müssen, sollen ungeschützte Oberflächen vor Korrosion bewahrt werden. Alle Oberflächen müssen gereinigt werden nachdem der Einbau erfolgt ist. Verwenden Sie keine zu scharfen Reiniger (wie z.B. Salzsäure, etc.). Der in vielen Gemäuern enthaltene Kalk führt zu Korrosion. Während der Härtezeit (1 – 2 Monate) empfiehlt es sich, Edelstahl-Politur oder Wachs (es kann auch Autowachs verwendet werden) aufzutragen, um die Oberflächen vor den kalkhaltigen Materialien zu schützen.

### Erste Schritte

1. Alle Paneele für den Wagen, Hardware und Grilleinsatz aus dem Karton entnehmen. Haube öffnen und alle darin verpackten Komponenten entnehmen. Anhand der Stückliste sicherstellen, dass alle nötigen Teile vorhanden sind.
2. Zerstören Sie die Verpackung nicht, bevor der Grill vollständig montiert ist und zu Ihrer Zufriedenheit funktioniert.
3. Den Grill an der Stelle montieren, wo er verwendet werden soll. Legen Sie Pappe oder ein Handtuch zurecht, um während der Montage keine Teile zu verlegen oder zu beschädigen.
4. **Die meisten Edelstahl-Komponenten sind mit einer Plastik-Schutzfolie überzogen, die vor dem ersten Gebrauch des Grills entfernt werden muss. An manchen Stellen wurde die Schutzfolie bereits während des Produktionsprozesses entfernt und kann Rückstände hinterlassen haben, die wie Fehler oder Kratzer im Material aussehen. Um diese Rückstände zu entfernen, wischen Sie einfach mit sanftem Druck in Richtung der Maserung des Materials.**
5. Folgen Sie allen Anweisungen in diesem Handbuch in der angegebenen Reihenfolge.
6. Zwei Personen sind erforderlich, um den Grillaufsatz auf den montierten Wagen zu setzen.

Bei Fragen zur Montage oder zum Betrieb des Grills, oder bei beschädigten oder fehlenden Teilen, wenden Sie sich an unseren Kundendienst unter +1-866-820-8686 zwischen 9 Uhr und 15 Uhr Eastern Standard Time.

### Erforderliche Werkzeuge für die Montage (Werkzeuge nicht enthalten)

3/8 (10mm)





## ABMESSUNGEN DER EINBAUÖFFNUNG

MODELL	ABMESSUNGEN DER ÖFFNUNG			ANMERKUNGEN
	W	D	H	
BILEX605	930mm	545mm	225mm	
Seitenbrenner	324mm	419mm	114mm	ZUR KORREKTEN ENTLÜFTUNG DER SEITENBRENNER MUSS EINE ÖFFNUNG VON MINDESTENS 32cm <sup>2</sup> VORHANDEN SEIN.



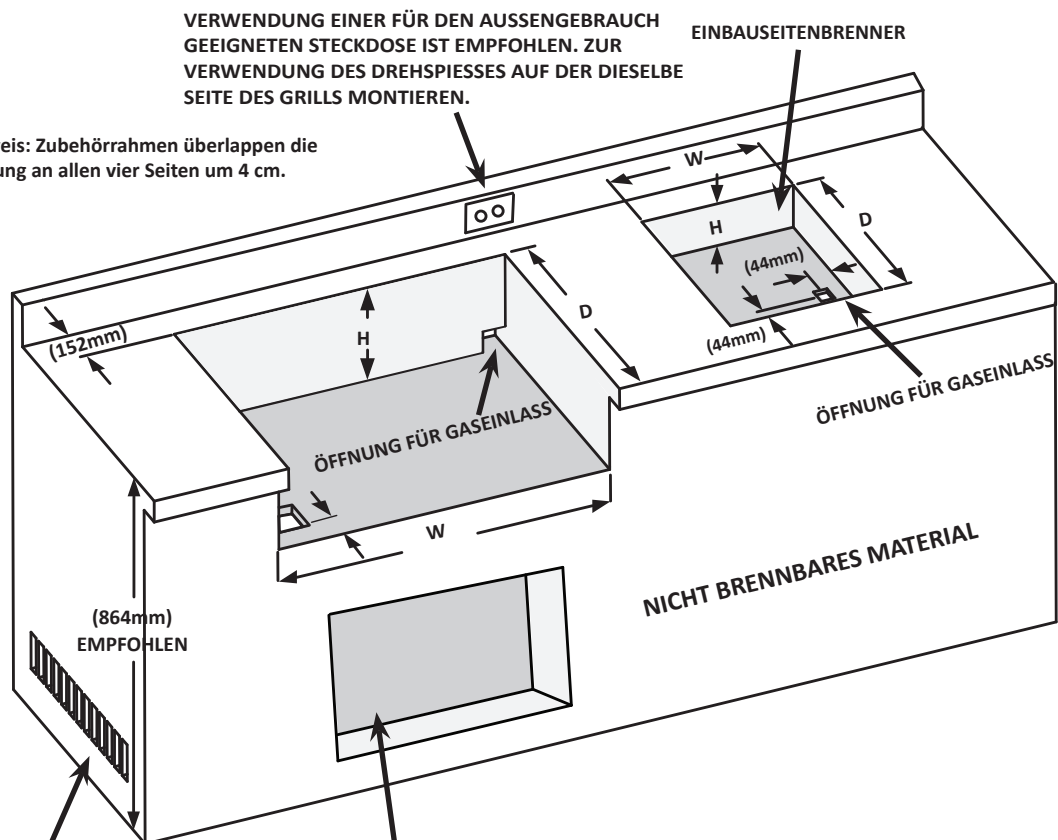
**ACHTUNG!** Dieser Grill darf nur in feuerfeste Materialien montiert werden und soll von einem qualifizierten Fachpersonal je nach regionaler Vorschrift gewartet werden.



**ACHTUNG!** Der Grill darf nur in feuerfeste Materialien (zertifizierte Klasse A nach EN 13501-1 Standard) eingebaut werden.



Hinweis: Zubehörrahmen überlappen die Öffnung an allen vier Seiten um 4 cm.



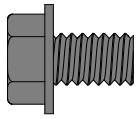
ZUR KORREKTEN BELÜFTUNG MUSS EIN MINDESTQUERSCHNITT VON 65 cm<sup>2</sup> AN ALLEN SCHRANKENDEN EINGEHALTEN WERDEN.



**WARNUNG!** FÜR DIE SCHRANKRAMEN, SCHRÄNKE UND ARBEITSFLÄCHEN AUSSCHLIESSLICH NICHT BRENNBARE MATERIALIEN VERWENDEN.



# BILEX605 EINBAUANWEISUNGEN

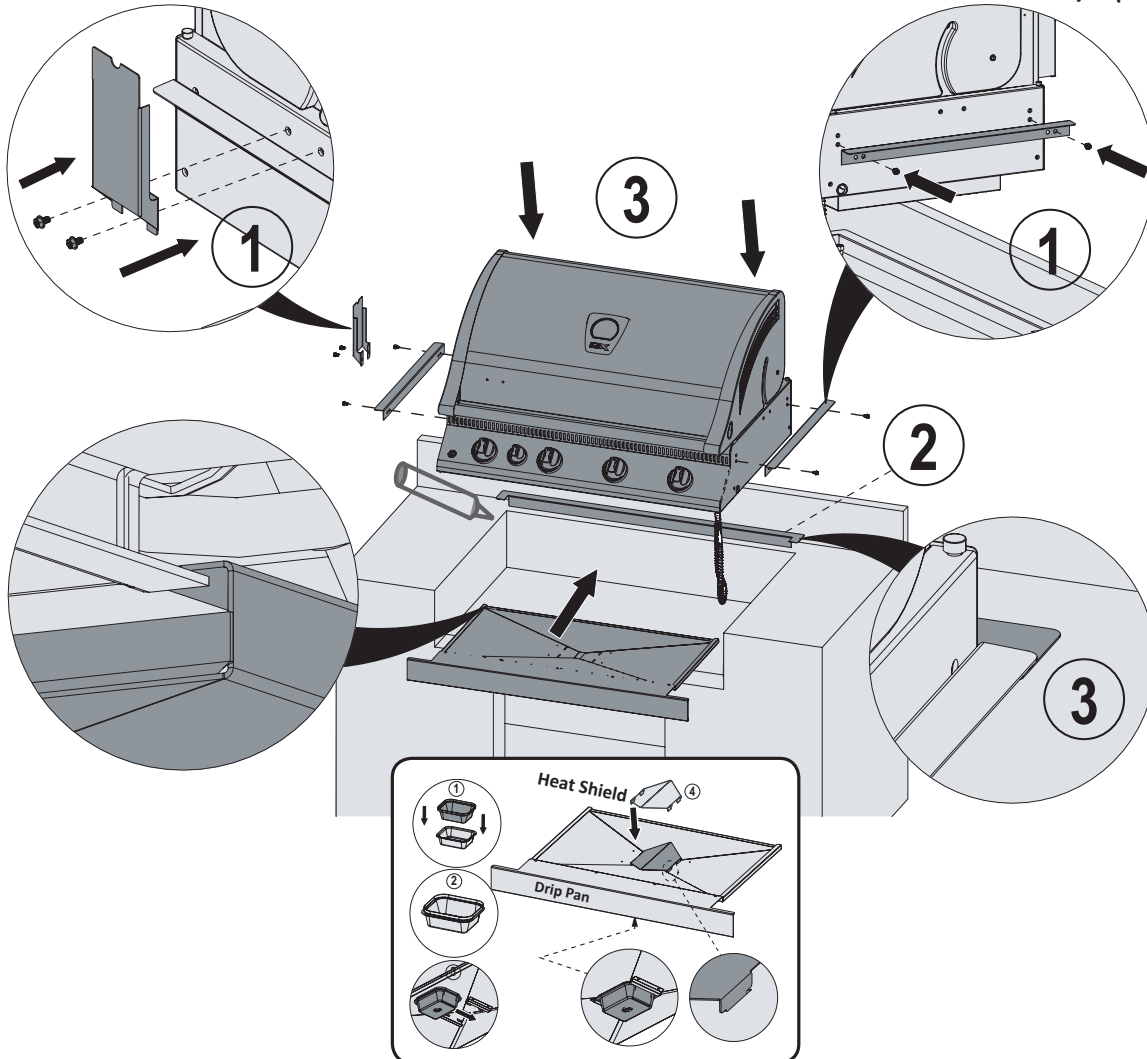


2 x N570-0073 (1/4-20 X 3/8")



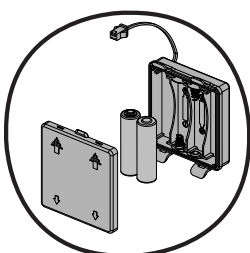
3/8" (10mm)

DE

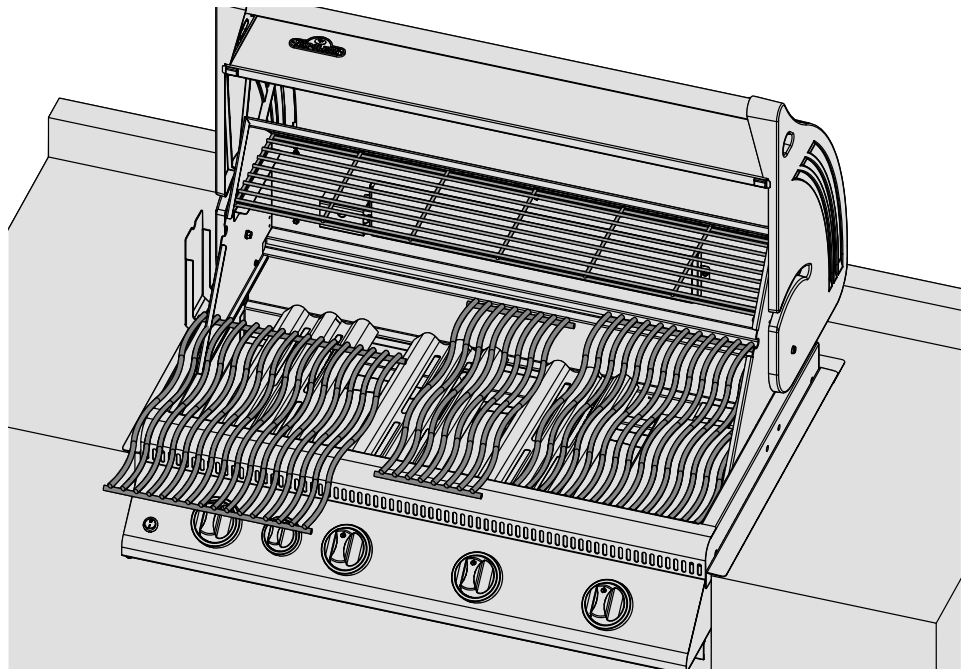
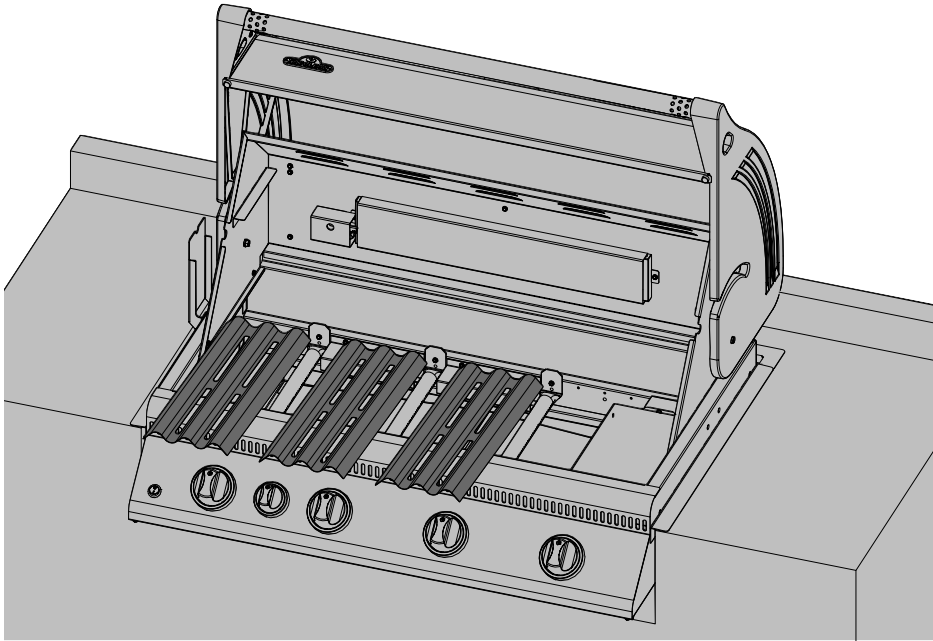


Dieses Grillgerät ist ausschließlich mit NICHT BRENNBAREN Schrankkonstruktionen in Mauerbauweise zu verwenden und die Installation und Wartung darf nur von einem zugelassenen Installateur unter Einhaltung der geltenden lokalen Vorschriften durchgeführt werden.

1. Seitliche Befestigungen und Seitenabschlussteile mit den beiliegenden Nr. 1/4-20 x 3/8" Schrauben (N570-0073) an beiden Seiten des Grills montieren.
2. Rückseitiges Abschlussstück quer über die Rückseite der Öffnung legen. Zur sicheren Positionierung kann ein Tupfer Silikon an jeder Seite des rückseitigen Abschlussstücks aufgebracht werden.
3. Das Gerät einpassen, die Flügelstücke an der rückseitigen Verkleidung sollten sich unterhalb der Seitenabschlussteile befinden. Die Flex-Leitung für die Gaszufuhr mit der Überwurfmutter am Verteilerende anschließen.
4. Vor Inbetriebnahme des Geräts die gesamte Installation auf Gaslecks prüfen.



**Batteriefachmodul (led-leuchten) im schrankinneren mit einem mindestabstand von 20 cm zur unterseite der auffangschale montieren, um das modul vor überhitzung zu schützen. Sicherstellen, dass kabel und module den zugang zur auffangschale nicht behindern. Batterien wie abgebildet installieren. Das led-kabel (beleuchtung) unterhalb der bedieneleiste mit dem kabel des batteriefachs verbinden. Sicherstellen, dass kabel nicht mit der grillunterseite in kontakt sind.**



### ***Etikett zur verfügung gestellt***



KLEBE DEN WARNHINWEISAUFKLEBER AUF EINE FLÄCHE, DIE WÄHREND DES GRILLENS SICHTBAR IST, AUF.

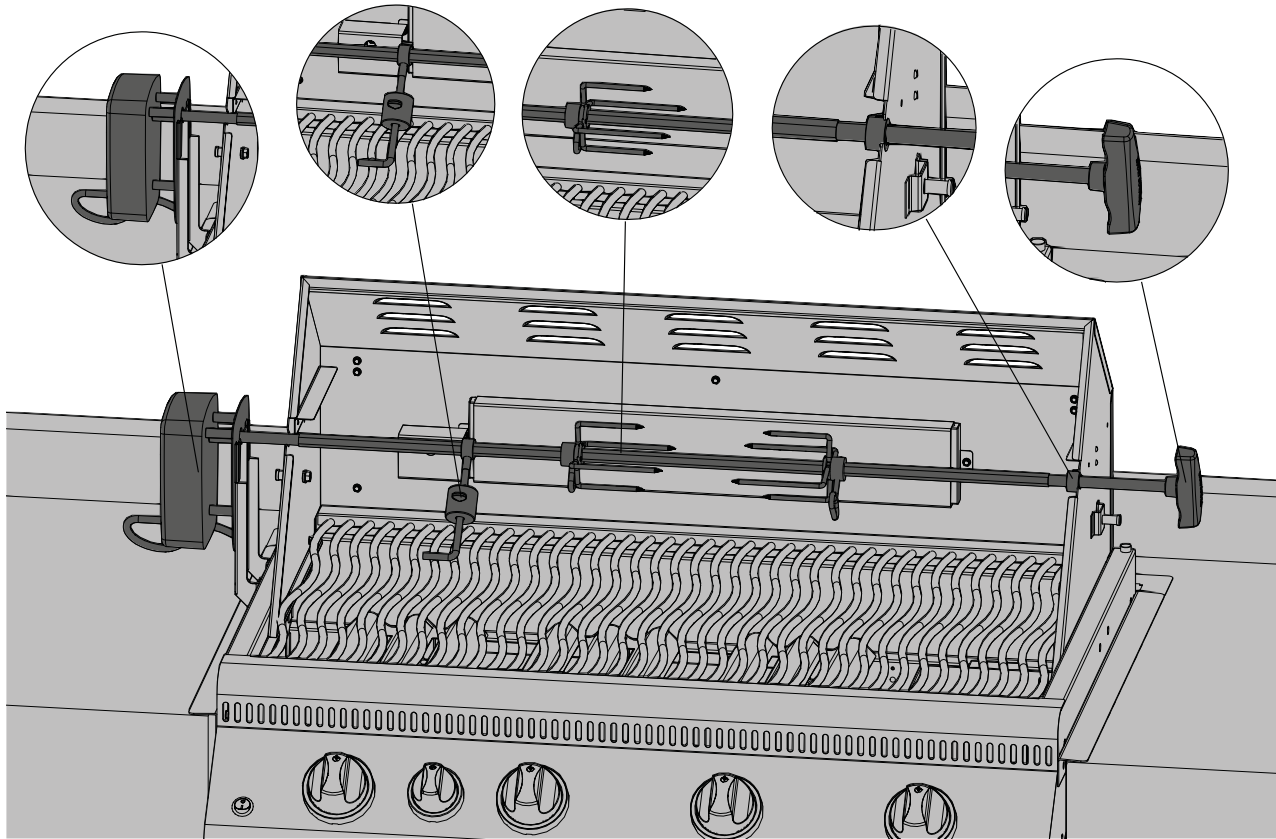
## Anweisungen für die Montage des Drehspieß-Sets

(optionale)

Komponenten des Drehspieß-Sets wie gezeigt montieren.



Sicherstellen, dass die Anschlagbuchse an der Innenseite des Haubengussteils



# Anleitung Für Die Leckageprüfung



**WARNUNG!** Ein Leckagetest muss vor der ersten Benutzung, jährlich und nach Auswechseln oder Warten eines Gasbauteils durchgeführt werden.



**WARNUNG!** Während der Prüfung ist Rauchen verboten. Alle Zündquellen sind zu entfernen.



Leckageprüfung: Ein Leckagetest muss vor der ersten Benutzung, jährlich und nach Auswechseln oder Warten eines Gasbauteils durchgeführt werden. Während der Prüfung ist Rauchen verboten. Alle Zündquellen sind zu entfernen. Die zu prüfenden Stellen sind auf der Leckageprüfzeichnung aufgeführt.



Alle Brenner abstellen. Flaschenventil aufdrehen.

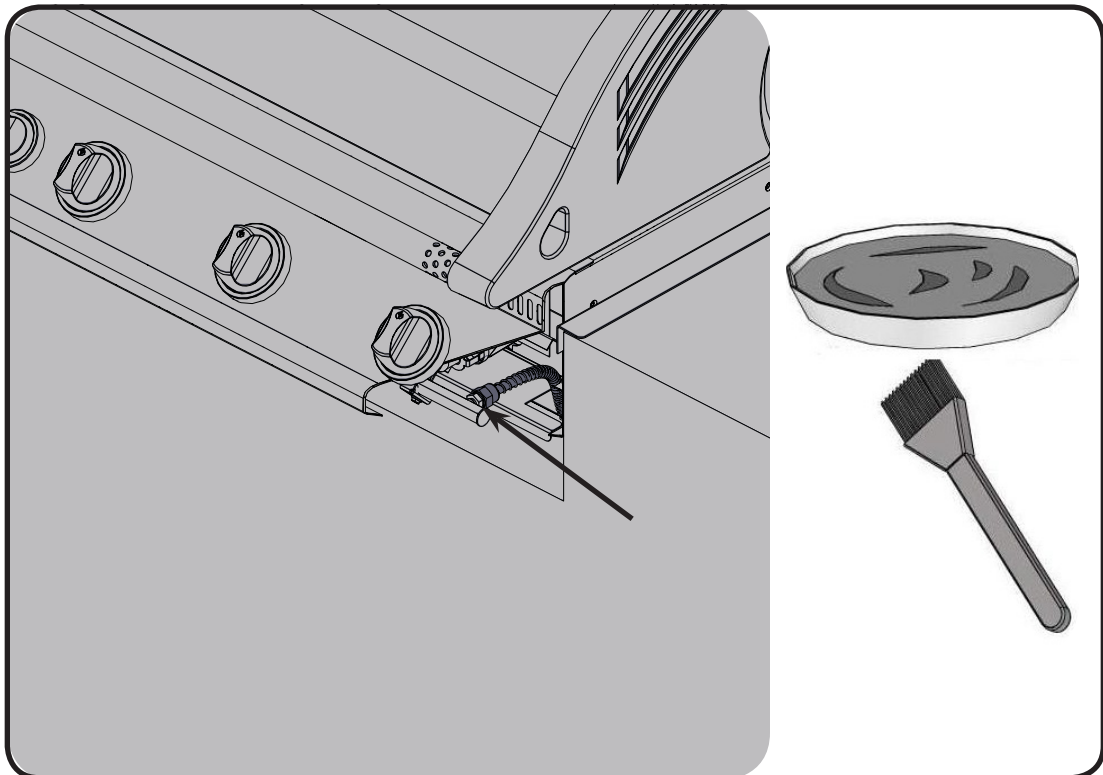
Seifenwasser (halb Wasser, halb Flüssigseife) auf alle Anschlüsse und Verbindungen an Regler, Schlauch, Verteiler und Ventile auftragen.



Leckagen werden durch Blasenbildung angezeigt. Leckage durch Festdrehen des Anschlusses oder Austausch des Teils durch ein vom Händler empfohlenes Teil beseitigen.

Bleibt die Leckage bestehen, Flaschenventil zudrehen, Regler abnehmen und Grill vom Gaslieferanten oder Händler untersuchen lassen. Das Gerät darf erst wieder benutzt werden, wenn die Leckage behoben ist.

Gaszufuhr abstellen.



**Stückliste**

Item	Part #	Description	BILEX605
1	N335-0044L	stainless steel lid insert	x
2	N135-0042-GY1HT	left side lid casting	x
3	N135-0043-GY1HT	right side lid casting	x
4	N585-0081	heat shield lid	x
5	N570-0091	1/4-20 x 1/2" screw	x
6	N385-0307-SER	NAPOLEON logo	x
7	W450-0005	logo spring clips	x
8	N010-0739	lid handle	x
9	N685-0013	temperature gauge	x
10	N080-0287-GY1HT	lid casting cover	x
11	N570-0019	10-24 x 1/4" screw	x
12	N570-0015	lid pivot screw	x
13	N735-0003	1/4" lockwasher	x
14	N570-0073	1/4-20 x 3/8" screw	x
15	N010-0592	hood assembly	x
16	N010-0527P-30	infra red rear burner	x
17	N565-0007	infrared burner screen	x
18	N080-0206-M05	rear burner electrode cover	x
19	N240-0024P	rear burner electrode c/w pilot	x
20	Z570-0002	rear burner electrode cover screw	x
21	N615-0011	rear burner electrode cover spacer	x
22	N200-0080-M06	infra red rear burner cover	x
23	N520-0024	warming rack	x
24	N010-0598	base	x
25	N100-0036	main burner	x
26	N080-0208	main burner cross light bracket	x
27	N010-0499	infra red main burner	x
28	N080-0207	support bracket infra red burner	x
29	N570-0008	#8 x 1/2" screw	x
30	N475-0317-GB-DE	control panel	x
31	N010-0544-30	manifold assembly c/w valves	x
32	Z510-0003	black silicone lid bumper	x
33	N660-0002	switch light	x
34	N305-0057-M05	sear plate	x
35	N051-0011	control knob bezel large	x
36	N380-0021-CL	burner control knob large	x
37	N051-0012	control knob bezel small	x
38	N380-0020-CL	burner control knob small	x
39	N200-0079-GY1SG	back cover	x
40	N305-0058	cooking grids - stainless rod large	x
	N305-0090	cooking grids - stainless rod small	x
41	N010-1208	drip pan	x
42	N585-0134	heat shield	x
43	N105-0001	bushing 7/8"	x

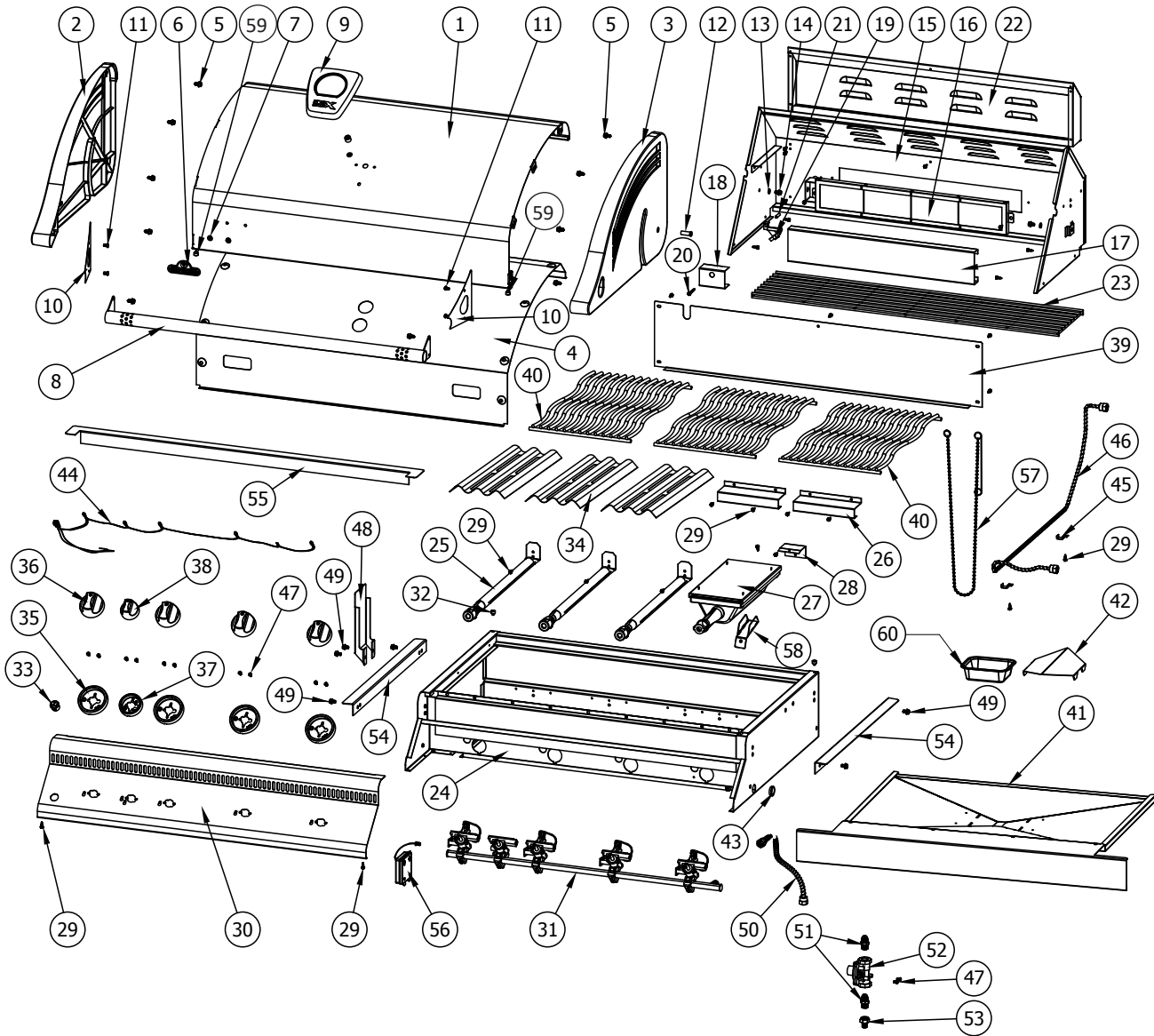
**Stückliste**

Item	Part #	Description	BILEX605
44	N750-0021B	wiring harness led	x
45	N160-0017	clip rear burner tube	x
46	N720-0053	rear burner supply tube	x
47	N570-0078	M4 x 8 mm screw	x
48	N475-0301-M06	rotisserie mount	x
49	N570-0073	1/4-20 x 3/8" screw	x
50	N010-0281	manifold flex connector	x
51	W445-0021	union fitting 3/8" - 3/8"	x
52	N530-0021-SER	regulator step down	x
53	N255-0014	fitting	x
54	N080-0216	mount bracket	x
55	N715-0085	rear trim	x
56	N190-0001	battery pack	x
57	N555-0097	lighting rod	x
58	N215-0007-M05	deflector infra red burner	x
59	N510-0013	black silicone bumper	x
60	N710-0062	grease tray	x
	69333	rotisserie kit -UK	ac
	69332	rotisserie kit - CE	ac
	61606	cover	ac
	56018	stainless steel griddle	ac
	56040	cast iron griddle	ac
	67732	charcoal tray	ac
	62007	kit of 5 replacement grease trays	ac

x - standard

ac -Zubehör

DE







*Notes*

DE





50

DE





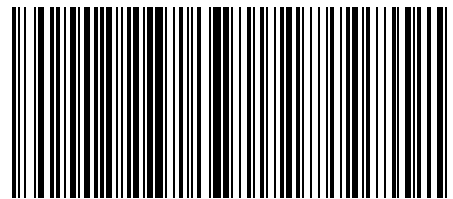
*Notes*

DE





Napoleon products are protected by one or more U.S. and Canadian and/or foreign patents or patents pending.



N415-0563CE-GB-DE

